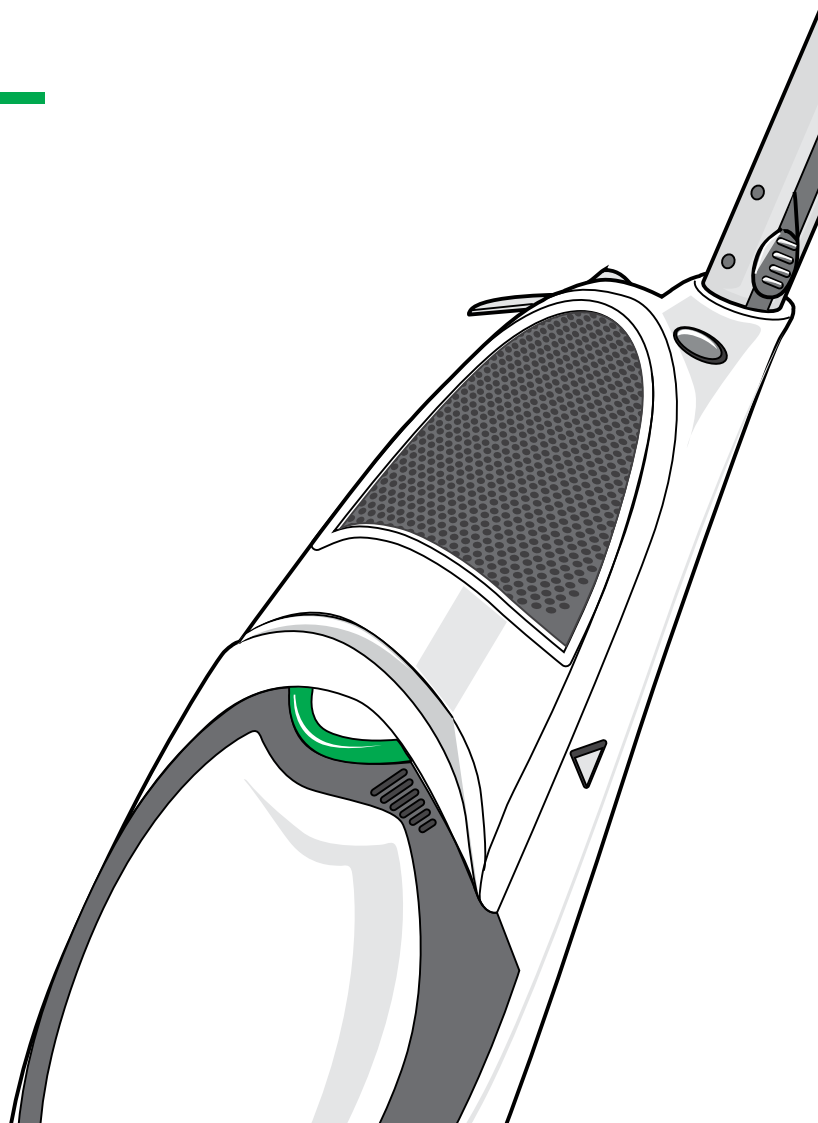


---


**kobold**

**INSTRUCTION MANUAL**  
**Kobold VK150**  
**Vacuum cleaner**  
**and accessories**

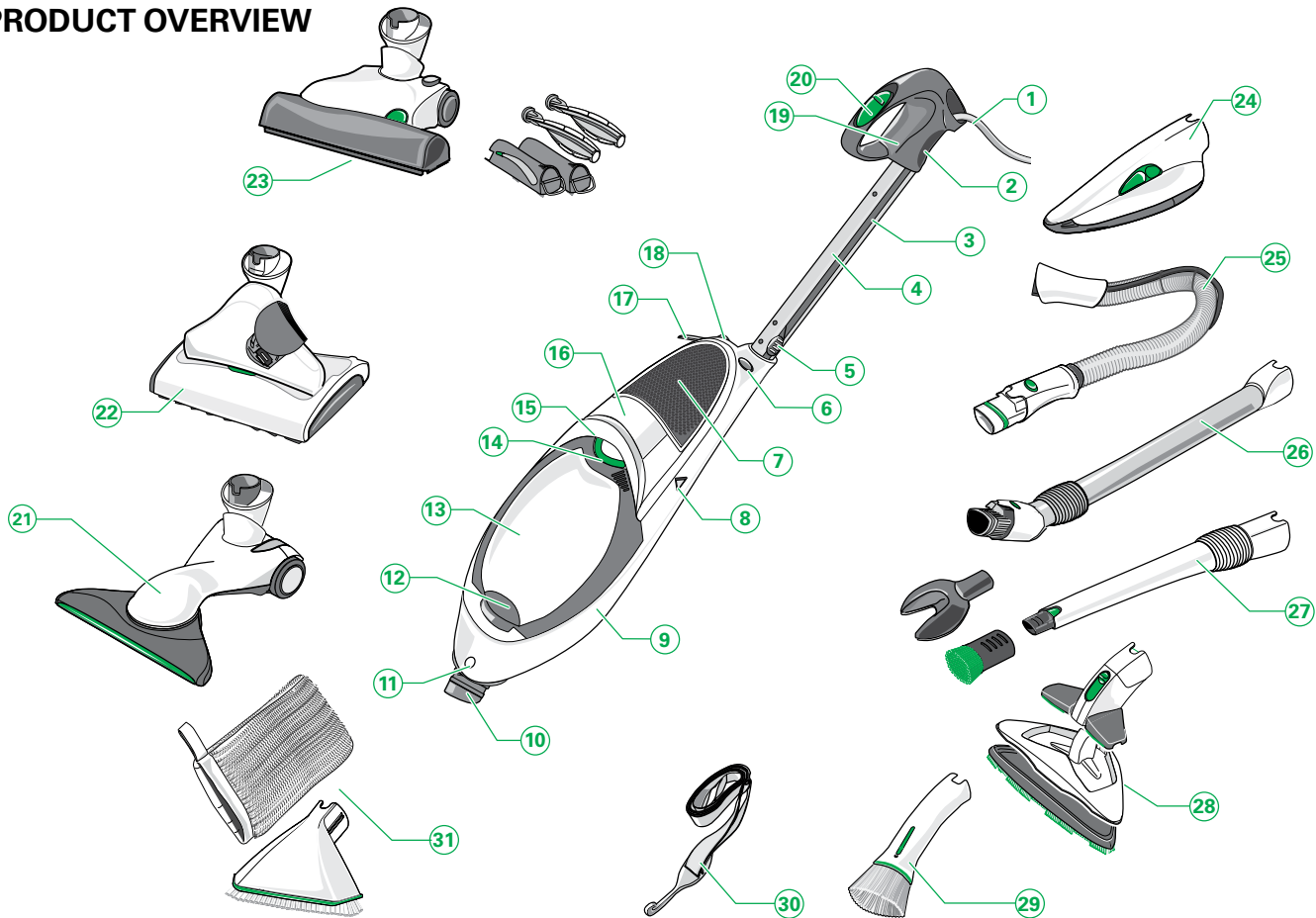
**VORWERK**



## CONTENTS

<b>Product overview</b> .....	<b>4</b>		
<b>Preliminary remark</b> .....	<b>5</b>		
<b>1 For your safety</b>  .....	<b>7</b>		
1.1 Intended use .....	7		
1.2 Hazards warnings .....	10		
1.3 Danger levels .....	14		
<b>2 Getting started</b> .....	<b>15</b>		
2.1 Attaching the accessory part .....	15		
2.2 Standby position and power setting .....	16		
2.3 Mains connection .....	18		
2.4 Adjusting the height .....	20		
2.5 Carrying the device .....	21		
2.6 Switching the device on and off, setting the power performance level .....	22		
<b>3 Operation</b> .....	<b>23</b>		
3.1 Kobold HD50 Hard floor attachment .....	24		
3.2 Kobold EB370 Electronic brush ..	25		
3.2.1 Brush-suction .....	26		
3.2.2 Carpet cleaning with the Kobold FK370 Freshener kit .....	29		
3.2.3 Cleaning mattresses .....	35		
3.3 Kobold SP530 Hard floor cleaner ..	38		
3.3.1 Accessories for Kobold SP530 Hard floor cleaner .....	39		
3.3.2 Switching the Kobold SP530 Hard floor cleaner on/off .....	41		
3.4 Kobold ESS150 Electronic suction hose .....	48		
3.5 Kobold TR15 Telescopic tube .....	49		
3.6 Kobold PB430 Polsterboy .....	50		
3.7 Kobold GD15 Window cleaning kit ..	52		
3.7.1 Operating the Kobold Window cleaning kit .....	54		
3.7.2 Cleaning window panes .....	55		
3.7.3 Allow Koboclear to dry .....	56		
3.7.4 Vacuum dried Koboclear .....	56		
3.8 Additional accessories .....	58		
3.8.1 Kobold VD15 Variable nozzle .....	58		
3.8.2 Kobold SD15 Soft nozzle .....	60		
3.8.3 Kobold FD15 Flexo nozzle .....	61		
<b>4 Maintenance</b> .....	<b>63</b>		
4.1 Spare parts and consumable materials .....	64		
4.2 Maintaining Kobold VK150 Vacuum cleaner .....	66		
4.2.1 Exchange Premium Filter bag Kobold FP140/150 .....	66		
4.2.2 Cleaning and exchanging the Kobold VK150 Motor protection filter .....	68		
4.3 Kobold EB370 Electronic brush ..	70		
4.3.1 Checking and cleaning .....	70		
4.3.2 Exchanging the brushes .....	71		
4.4 Kobold SP530 Hard floor cleaner ..	72		
4.4.1 Checking and cleaning the sealing lip frame .....	73		
4.4.2 Checking the suction channel .....	74		
4.5 Kobold PB430 Polsterboy .....	75		
4.6 Kobold Window cleaning kit .....	76		
4.7 Additional accessories .....	77		
<b>5 Troubleshooting</b> .....	<b>78</b>		
<b>6 Disposal and environmental protection</b> .....	<b>88</b>		
6.1 Disposing of the device .....	88		
6.2 Disposing of the packaging .....	88		
6.3 Information on environmental protection .....	89		
<b>7 Warranty</b> .....	<b>91</b>		
<b>8 Services</b> .....	<b>91</b>		
<b>9 Technical details</b> .....	<b>92</b>		
<b>10 EU energy label classification*</b> ..	<b>96</b>		

# PRODUCT OVERVIEW



Nature and extent of the accessories included may vary. Accessories can be purchased separately and may not be available in each country. The illustrations shown in this manual are meant to illustrate the functions of the Kobold VK150 Vacuum cleaner and its accessories. The illustrations may differ with respect to detail and proportions of the actual product.

## LEGEND

Item	Kobold VK150 Vacuum cleaner
1	Power cord
2	Cable hook (covered), rotatable
3	Cable channel
4	Telescopic rod handle
5	Connector plug
6	Release key - for adjusting the handle
7	Air outlet
8	Suction value display
9	Rotating switch (on the back)
10	Attachment socket
11	Release button - for electronic accessory parts and other accessories
12	Recessed grip bottom
13	Filter cover
14	Lever - to open the filter cover
15	Recessed grip top
16	Motor housing
17	Cable hook (folding)
18	Remote release for electronic accessory parts and other accessories
19	Grip
20	Main switch

Item	Floor care accessory parts
Non-electronic accessories:	
21	Kobold HD50 Hard floor attachment - for hard floor vacuuming
Electronic accessories:	
22	Kobold SP530 Hard floor cleaner - for vacuuming and wet cleaning of hard floors
23	Kobold EB370 Electronic brush with Kobold FK370 Freshener kit and Kobold MB370 Mattress brushes - for vacuuming and cleaning carpets and mattresses
Item	Additional accessories
Electronic accessories:	
24	Kobold PB430 Polsterboy
25	Kobold ESS150 Electronic suction hose
Non-electronic accessories:	
26	Kobold TR15 Telescopic tube
27	Kobold VD15 Variable nozzle with drilling dust attachment and brush
28	Kobold FD15 Flexo nozzle with cleaning plate
29	Kobold SD15 Soft nozzle
30	Shoulder strap
31	Kobold GD15 Window cleaning kit with Kobold GD15 Glass nozzle, Kobold GT15 Glass cloth





## PRELIMINARY REMARK

Congratulations on the purchase of your new vacuum cleaner, the Kobold VK150 Vacuum cleaner. Delivering brilliance and cleanliness, the light and easily manoeuvrable Kobold will stay true to you and your household for many years. Its unique and practical accessories will bring joy to cleaning your household.

## BEFORE GETTING STARTED

- Read the instruction manual carefully before using the Kobold for the first time.
- Keep the instruction manual for future use. It is an important part of the Kobold and must be kept with it if you pass it on to someone else.

## CHARACTERS AND SYMBOLS

The symbols which appear in this instruction manual have the following meanings:



Warning symbol



Reference to Vorwerk's customer service department/support



Symbol for a helpful tip



Reference to Vorwerk's Internet website

- Instructions

## SUITABILITY OF THE DEVICES FOR FLOORS

Carpet type	EB370	SP530	HD50
Velour carpeting	++	-	-
Loop pile carpeting	++	-	-
Berber carpeting	+*	-	-
Sisal carpeting	+*	-	-
light, loose carpets	+*	-	-
Deep-pile carpeting (>1.5 cm)	+*	-	-
Silk carpeting	+*	-	-
Carpets with long, interwoven fibres (Saxony)	-	-	-
Loosely woven carpeting	-	-	-
Flokati, fur	-	-	-

\*) with soft function

Tab. 1.1 Suitability of accessory parts for carpet types

The symbols indicate:

- ++ excellent suitability
- + very good suitability
- not suitable

Note!

- Follow the detailed application instructions in the following chapters.

Hard floor type	SP530	HD50
Sealed wooden flooring (e.g. parquet, beech or oak floorboards)	++ <sup>1</sup>	+
Laminate	++	+
Oiled wooden flooring (e.g. floorboards, parquet made of beech or oak)	++ <sup>1</sup>	+
PVC, CV, linoleum	++	+
Natural stone flooring (e.g. marble, granite, slate)	++ <sup>2</sup>	+
Clay flooring (e.g. terracotta)	++ <sup>2</sup>	+
Ceramic tiles and fine stoneware	++	+
Sealed cork flooring	++ <sup>1</sup>	+
Sensitive natural stone flooring (e.g. Solnhofen stone)	++ <sup>2</sup>	+
Rugged concrete flooring (e.g. washed concrete)	-	+
Unsealed wooden flooring made of softwood (e.g. pine, spruce)	++ <sup>1</sup>	+
Unsealed cork flooring	++ <sup>1</sup>	+

<sup>1</sup>) suitable for dry cleaning with cleaning cloth Kobold MF520/530 Dry

<sup>2</sup>) with cleaning cloth Kobold MF520/530 Soft

Tab. 1.2 Suitability of accessory parts for hard wood types

## **1 FOR YOUR SAFETY ⚠**

Greatest possible safety is a characteristic of Vorwerk products. The product safety of the Kobold VK150 Vacuum cleaner and its accessories can however only be ensured if this chapter is followed.

### **1.1 Intended use**

---

#### **Note!**

The appliance is not to be used by children younger than 8 years. Children from 8 years on or persons with reduced physical, sensory or mental capabilities, or lack of experience and knowledge may only use this appliance in case they have been given supervision or instruction about how to use it safely and they understand what risks are involved. Children should be supervised to ensure they do not play with the appliance. Cleaning and maintenance may not be performed by children without supervision.

---

### KOBOLD VK150 VACUUM CLEANER

The Vacuum cleaner is solely intended for removing dust within domestic areas. The vacuum cleaner may only be used with the corresponding Vorwerk accessories.

- To find out which carpet and hard floors are suitable for using the accessory parts, refer to tables 1.1 and 1.2 (see page 6).

### KOBOLD EB370 ELECTRONIC BRUSH

The Electronic brush may only be used in connection with a Kobold Vacuum cleaner. It is exclusively intended for carpet and mattress maintenance. The Electronic brush shall only be used for the carpet described in Tab. 1.1. The Electronic brush must **under no circumstances** be used with the following carpet types: Furs, flokati, carpets with long, interwoven fibres (Saxony), loosely woven carpets, extreme deep-pile carpets, unsealed cork flooring.

### KOBOLD FK370 FRESHENER KIT AND KOBOLD MB370 MATTRESS BRUSHES

The Freshener kit and the mattress brushes may only be used in connection with the Electronic brush and a vacuum cleaner by Vorwerk. The Freshener kit and the mattress brushes are solely intended for use with dry cleaning powder such as Kobosan or Lavenia. They must not be used with liquid, foam or damp cleaning agents.

### **KOBOLD HD50 HARD FLOOR ATTACHMENT**

The hard floor attachment is only intended for cleaning even hard floors in domestic areas.

### **KOBOLD SP530 HARD FLOOR CLEANER**

The hard floor cleaner may only be used on the hard floor types listed in Tab. 1.2. The following flooring types must **never** be wet cleaned: untreated cork flooring, untreated tile floors, untreated softwood floors.

### **KOBOLD GD15 WINDOW CLEANING KIT**

The Kobold GD15 Window cleaning kit is exclusively intended for cleaning and maintenance of smooth, non-treated glass surfaces. Suitable are window panes without special fittings due to coatings (e.g. lotus effect), mirrors or winter gardens made of glass.

**Not** suitable are matt finished or structured glass surfaces (e.g. frosted glass in the bathroom, glass with ornaments) or plastic surfaces (e.g. Plexiglass, monitors, TV), as well as windows with open-pored window frames such as auto panes.

---

## 1.2 Hazards warnings

---

### Note!

- Read the instruction manual carefully before using the Kobold VK150 Vacuum cleaner for the first time.
  - Observe the following notes in particular.
  - Keep the instruction manual for future use. It is an important part of the Kobold and must be kept with it if you pass it on to someone else.
- 

### Risk of electric shock!

- Always switch the device off before all retrofitting, cleaning and maintenance work and disconnect the mains power cord from the socket.
- Never disconnect the mains power cord from the mains by pulling the connecting cable, but rather by pulling the mains plug connector from the socket.
- Unplug the mains power cord from the socket so the connecting cable can be retracted by the cable winder.
- Do not vacuum either fluids or damp dirt nor damp floor mats or carpets.
- Do not use the device in moist environments.
- You should never use the electronic accessories on wet surfaces or outdoors.
- Never clean your device or your electronic accessories, especially the electrical connections of the Kobold Electronic suction hose, with water or damp cleaners.
- When using your motorised accessory parts, Kobold EB370 Electronic brush and Kobold SP530 Hard floor cleaner, make sure not to pass over the connecting cable or other cables lying on the floor.

---

**Warning! The Electronic suction hose contains electrical-connections.**

- Do not use it to vacuum water.
- Do not submerge in water for cleaning purposes.
- The hose must be checked regularly and should not be used if damaged.

---

**Risk of electric shock!**

- Never perform repairs on your device yourself. Repairs to electric devices may only be carried out by the responsible Vorwerk customer service department.
- Do not insert any pointed objects into the electric contacts.
- Do not change the contacts.
- Never carry the device by the connecting cable.
- Do not operate the electrical devices or the connecting cable any further if they are damaged.
- Contact your nearest Vorwerk customer service department in the event of damage.

---

**Fire hazard!**

- Do not vacuum glowing ash or burning cigarettes.

---

**Explosion hazard!**

- Do not vacuum explosive or easily inflammable substances.
-



---

**Risk of injury**

- Do not vacuum any body parts. Do not vacuum near children or pets.
  - Do not vacuum hair with the Polsterboy.
- 

**Pinching hazard!**

- Stay clear of the rotating parts of the electronic accessory parts.
  - Pull the power plug out of the socket before storing the device or leaving it unattended.
- 

**Choking hazard!**

- Keep small parts such as the Dovina fragrance chips or the cover of the revision opening of the hard floors attachment away from children.
- 

**Loss of suitability for allergy sufferers!**

- Use only original Vorwerk filters and filter bags. Do not reuse spent filter bags.
-

---

**Note! Risk of damage from improper use!**



- Use original Vorwerk parts only.
  - Only operate the device with alternating current voltage and at a connection that was properly installed by a specialist.
  - Use the device with the alternating current voltage stated on the type plate.
  - Use the device only with the Motor protection filter installed.
  - Never use the hard floor cleaner without cloth.
- 

The device fulfils the safety instructions of the country in which it was sold by an authorised Vorwerk organisation. When using the device in another country, compliance with local safety standards cannot be guaranteed. Vorwerk therefore rejects any resulting safety risks for the user.

### 1.3 Danger levels

- For your safety, also observe the hazard warnings specified in the following sections.

You can identify the hazard warnings in the following sections by the warning symbol and/or a signal word indicating the danger level:

Danger level	Warning symbol	Signal word	Possible risks
3		<b>Warning!</b>	- Risk of electric shock - Fire hazard - Explosion hazard
2		<b>Caution!</b>	- Risk of injury
1		<b>Note!</b>	- Risk of damage from improper use - Material damage from improper use

## 2 GETTING STARTED

In this chapter you will learn how to set up your Kobold VK150 Vacuum cleaner for use. You will come to know the basic functions of your Vacuum cleaner and how to handle it properly.

Want to use your Vacuum cleaner for floor care?	<ul style="list-style-type: none"> <li>• Start with chapter “2.1 Attaching the accessory part” on page 15.</li> </ul>
Or would you like to use your Kobold above the floor, e.g. for upholstery, curtains or furniture?	<ul style="list-style-type: none"> <li>• Then start with chapter “2.3 Mains connection” on page 18.</li> </ul>

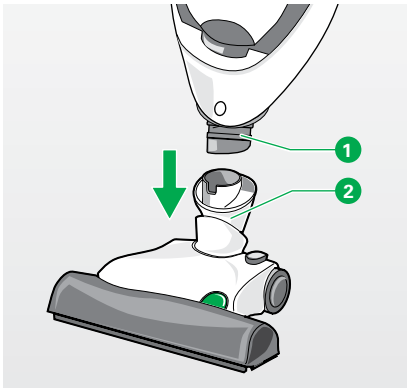


Fig. 2.1 Attaching the accessory part (here: Electronic brush)

### 2.1 Attaching the accessory part

For floor care purposes, you can use one of the following accessory parts:

- Kobold EB370 Electronic brush
- Kobold HD50 Hard floor attachment
- Kobold SP530 Hard floor cleaner

The attachment process is the same for all three accessory parts:

- Connect the attachment socket ① of the Vacuum cleaner to the pivot on the accessory part ②.
- Make sure that you can hear the attachment socket snap into the pivot.

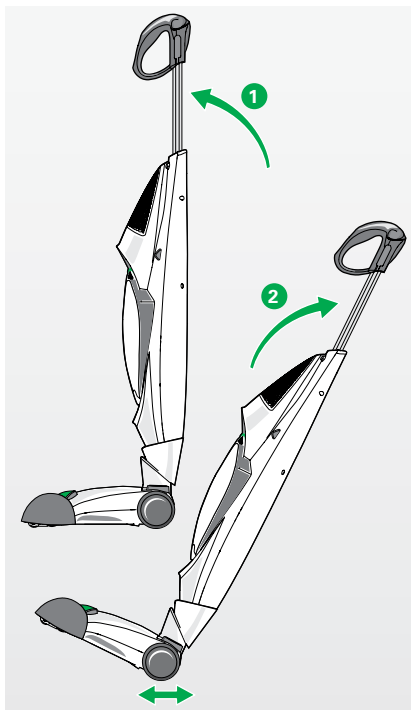


Fig. 2.2 Standby position

## 2.2 Standby position and power setting

Once you have connected the Kobold VK150 Vacuum cleaner to one of the accessory parts, you can set the device into standby position or keep it in power setting.



### Caution! Risk of injury from toppling device!

The standby position is used to turn off the device after finishing cleaning.

- In standby position, place the Vacuum cleaner with the accessory part only on horizontal surfaces.

### SETTING THE DEVICE INTO STANDBY POSITION

In standby position, the device stands upright and firmly on the ground.

If you wish to put the device away for a quick break or if you have finished vacuuming, set it into standby position by completing the following steps:

- Move the telescopic handle forward **1** until it stands upright and you can hear it snap into the pivot.

### ROLLING THE DEVICE

Also, you can conveniently roll the device in standby position to move it to different places:

- To do this, tilt the device backward **2** in standby position so that it stands on the rollers.
- Then roll it in the desired direction.

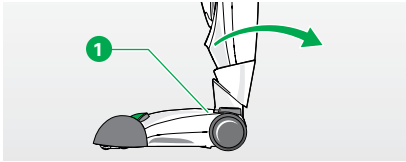


Fig. 2.3 Power setting

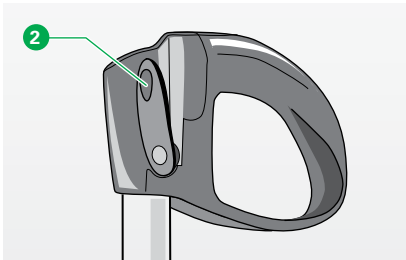


Fig. 2.4 Cable hook for hanging

### SETTING THE DEVICE INTO POWER SETTING

In power setting, the Kobold VK150 Vacuum cleaner can be moved freely into all directions on the ground. The following steps describe how to set the device from standby position into power setting:

- Hold the accessory part ❶ firmly in place with your foot and tilt the telescopic handle backwards so that you can hear it snap out of the standby position.

### HANGING UP THE DEVICE

To store the Vacuum cleaner, it is possible to hang it on the wall.

- To do this, leave the device in the power setting position.
- Hang the device with the upper opening of the cable hook ❷ onto the wall.  
*The accessory part thereby hangs pointing downward.*

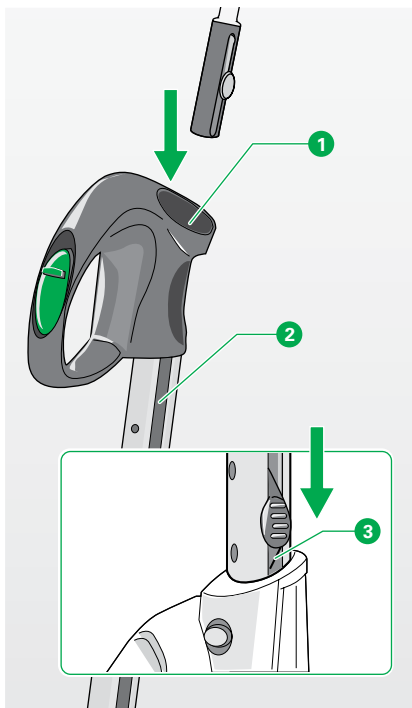


Fig. 2.5 Inserting the connecting cable

## 2.3 Mains connection

### INSERTING THE CONNECTING CABLE

The connecting cable can best be inserted when the telescopic handle **2** is slightly pulled out. Before using the Kobold for the first time, insert the connecting cable as follows:

- Lead the connecting cable through the handle **1**.
- Pull the connecting cable through the cable channel on the telescopic handle **2** downwards.
- Plug the connector plug into the connection socket **3** until you can hear it engage.

**i** After inserting the connecting cable, leave it connected to the device. Only remove the connecting cable when you replace it.

### WINDING UP AND UNWINDING THE CONNECTING CABLE

#### **⚠ Warning! Risk of electric shock!**

- Disconnect the mains power cord from the socket before you wind up the connecting cable.

#### **⚠ Caution! Danger of damaging electrical parts!**

- Make sure not to damage the device and the connecting cable while winding up.

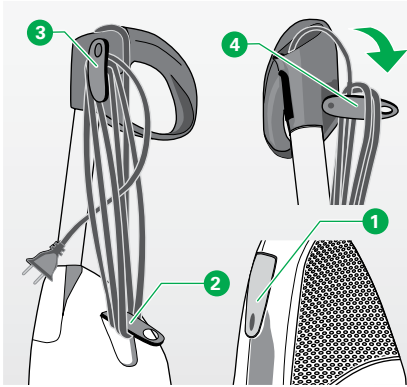


Fig. 2.6 Winding up and unwinding the connecting cable

Wind up the connecting cable when not using the Kobold VK150 Vacuum cleaner.

- Push in the cable hook **1** so that it opens and pull it out.
- Wrap the connecting cable around the cable hook **2** and the cable hook **3** on the grip.

Unwind the connecting cable when you would like to use the Vacuum cleaner again.

- To unwind the connecting cable, turn the cable hook **4** to the right.  
*The connecting cable will detach from the cord wrap.*
- Fold the cable hook **1** in again.

### CONNECTING THE CONNECTING CABLE

- Plug the mains power cord into the socket.



## 2.4 Adjusting the height



### Caution! Danger of damaging electrical parts!

- Ensure that the connecting cable is freely movable inside the cable channel when telescoping the tube.
- Do not hold the connecting cable when telescoping.
- Ensure that the connecting cable does not get jammed inside the telescopic handle.

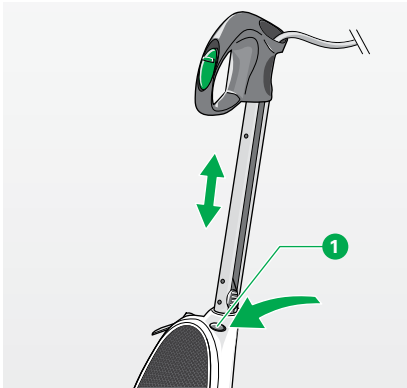


Fig. 2.7 Release key for adjusting the handle

### ADJUSTING THE HEIGHT

For floor maintenance, use the release key ① to pull the telescopic handle upwards. Complete the following steps:

- Press and hold the release key ①.
- Pull out the telescopic handle until you reach the desired height.
- Now release the release key ①.
- Make sure that you can hear the telescopic handle engage.
- If at first it does not engage, move the telescopic handle slightly up or down.



If you wish to turn off the Kobold VK150 Vacuum cleaner or use it for cleaning work above the floor, move the telescopic handle to the lowest position in the previously mentioned fashion.

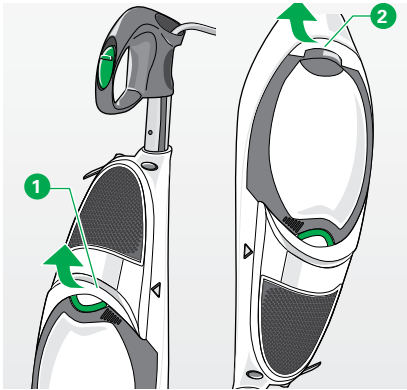


Fig. 2.8 Carrying by the recessed grips

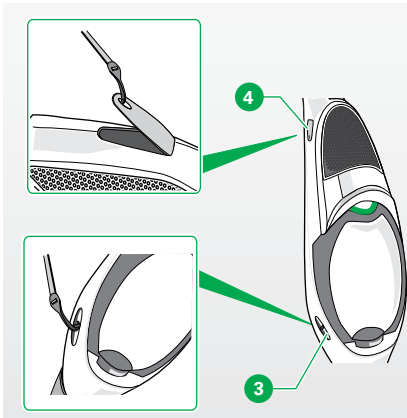


Fig. 2.9 Hook in shoulder strap

## 2.5 Carrying the device



### Warning! Risk of electric shock!

- Never carry the device by the connecting cable.



Before carrying the device, push in the telescopic handle all the way.

### USING THE RECESSED GRIPS

To transport the Kobold VK150 Vacuum cleaner or to use it on stairs, mattresses or other areas in the room, you can lift it by using both recessed grips **1 2**:

- To carry the Vacuum cleaner in upright position, lift it by using the recessed grip on the top **1**.
- To carry the Vacuum cleaner in reverse position, lift it by using the recessed grip on the bottom **2**.

### USING THE SHOULDER STRAP (WITH ESS ELECTRIC SUCTION HOSE)

To use the Vacuum cleaner above the floor, you can also carry it by using the separate shoulder strap:

- Hang the shoulder strap with the hook into the bottom opening **3**.
- Hang the shoulder strap with the hook into the cable hook **4**.

### USING THE SHOULDER STRAP (WITH SGS NON-ELECTRONIC SUCTION HOSE)

To use the Vacuum cleaner above the floor, you can also carry it by using the shoulder strap:

- Unwind the shoulder strap that is coiled into the recess at the end of the SGS Suction hose.
- Hook the shoulder strap onto the cable hook and hang it over your shoulder.
- When removing from shoulder, simply use the autowind when feeding back into recess.

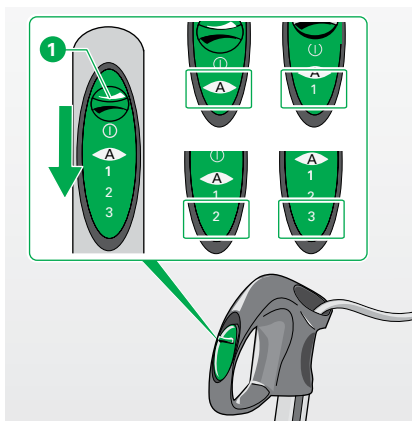


Fig. 2.10 Switching on and setting the power performance level

## 2.6 Switching the device on and off, setting the power performance level

### SWITCHING ON THE DEVICE

- To switch on the Kobold VK150 Vacuum cleaner, slide the main switch **1** forwards.

### SETTING THE POWER PERFORMANCE LEVEL

In general, we recommend power performance level A (Automatic).

Using the main switch **1**, you can set the device to the following power performance levels:

When using the Kobold EB370 Electronic brush	When using all other accessory parts or accessories:
- A - Automatic suction performance	- 1. Level - minimal performance, - 2. Level - medium performance, - 3. Level - maximum performance.  (A - in this case A corresponds to the minimal performance)

### SWITCHING OFF THE DEVICE

- To switch off the Vacuum cleaner, slide the main switch **1** all the way back.

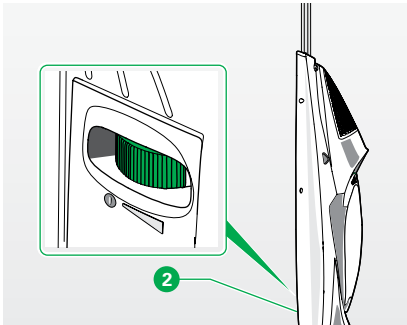


Fig. 2.11 Using the rotating switch

### USING THE ROTATING SWITCH

- When carrying the device with the shoulder strap, you can alternately use the rotating switch ② on the backside of the device:
- To switch on the device, turn the rotating switch ② to the right.
- To set the device to power performance level A or 1 - 3, turn the rotating switch ② either forward or backward to the corresponding level.
- To switch off the device, turn the rotating switch ② back into its initial position.

## 3 OPERATION

Depending on which accessory part or accessory you are using, continue operation. The following table shows you with which chapter to continue:

Accessory part	Case of application	Chapter / Page
Kobold HD50 Hard floor attachment	Vacuuming even hard floors	3.1 on page 24
Kobold EB370 Electronic brush	Vacuuming and cleaning carpets and mattresses	3.2 on page 25
Kobold SP530 Hard floor cleaner	Vacuuming and wet cleaning of hard floors	3.3 on page 38
Kobold PB430 Polsterboy	Vacuuming upholstery surfaces and upholstery joints	3.6 on page 50
Additional accessories	Vacuuming furniture surfaces, corners, joints, etc.	3.8 on page 58

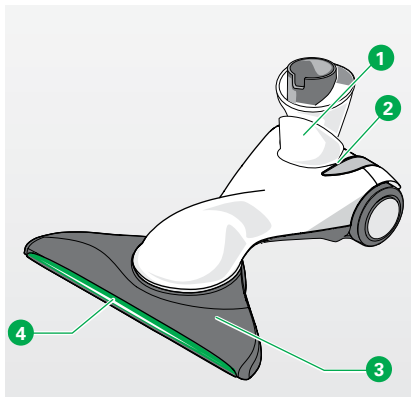


Fig. 3.1 Hard floor attachment

Legend	
1	Hinge
2	Revision opening cover – Opening for removing blockages
3	Suction nozzle
4	Bristle – covered plate (removable)

### 3.1 Kobold HD50 Hard floor attachment

The Hard floor attachment is a special nozzle that allows for cleaning even hard floors of various types. In contrast to other commercially available hard floor nozzles, this nozzle is also suited for removing coarse dirt. It can easily move around furniture or stands and vacuums evenly along all skirting boards.

The Hard floor nozzle can be used as a special nozzle for most floorings.

- It is still recommended that you check if the usage of the hard floor nozzle is also suited for your flooring (Table 1.1 and Table 1.2 on page 6).



#### Caution! Choking hazard from swallowing small parts!

- Keep small parts such as the cover of the revision opening away from children.



#### Caution! Risk of injury from inner components!

- Do not turn the Kobold HD50 Suction nozzle beyond the end stop.

#### APPLICATION

- Set the power performance level.
- To vacuum efficiently, move the device back and forth in an even motion.

For an optimal cleaning of hard floors with deep joints or cracks, we recommend using the Kobold EB370 Electronic brush.

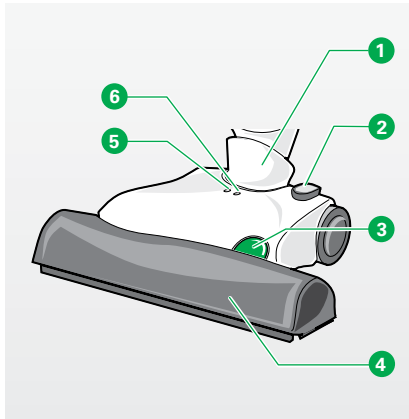


Fig. 3.2 Electronic brush

Legend	
1	Hinge
2	Foot switch soft/normal function
3	Release key
4	Front cowling
5	Operation display
6	Soft function control display

### 3.2 Kobold EB370 Electronic brush

Are you using your Kobold VK150 Vacuum cleaner with the Electronic brush? Then this chapter is for you! The electric brush can be used on carpets and hard floors. Here you will learn everything about its basic function and the bristle suction on carpets and mattresses. Furthermore, you will be introduced to the two special functions: carpet cleaning and mattress cleaning.

In order to clean carpets more thoroughly, the Electronic brush is equipped with a motor, which drives the integrated roller brushes. The figure on the left with the legend displays the Electronic brush and its operation elements.

The Electronic brush with its multi-purpose functionality can be used on most carpets.

- It is still recommended that you check if the usage of the Electronic brush is also suited for your carpet (Table 1.1 on page 6).



#### **Warning! Risk of electric shock!**

- When using your Electronic brush, make sure not to pass over the connecting cable or other cables lying on the floor.



#### **Caution! Risk of injury from moving parts!**

- Stay clear of the moving parts of the Electronic brush.

#### **Note! Risk of damage from improper use!**

- Avoid working with the device on one specific spot for a prolonged period of time.
- Avoid the suction of loose carpets/fringes.

### 3.2.1 Brush-suction

The brush-suction process with the Kobold EB370 Electronic brush is the more thorough alternative to conventional vacuuming. The Electronic brush not only vacuums dust and dirt, it also “combs” through the carpet at the same time by applying the rotating roller brushes. This enables the device to lift ingrained dirt from between the carpet fibres. This chapter explains how to operate during the brush-suction process.

- Before you start the brush-suction process, read the following notes in order to select the correct settings for your carpets.

#### NORMAL AND SOFT FUNCTION

You can set the normal or the soft function on the Electronic brush itself. The normal function is suited for a number of floorings with normal wear resistance. For less wear-resistant, sensitive surfaces, the soft function, which has a smaller rotational speed, is the more suitable option.

**i** Activate the soft function before you pass over sensitive surfaces. Switch on the soft function each time you turn on the device, as it is automatically deactivated once the vacuum cleaner is turned off.

- To switch between the normal and the soft function, press the foot switch **1** on the Electronic brush.

The soft function control indicator **2** lights up yellow and indicates that the soft function is activated.

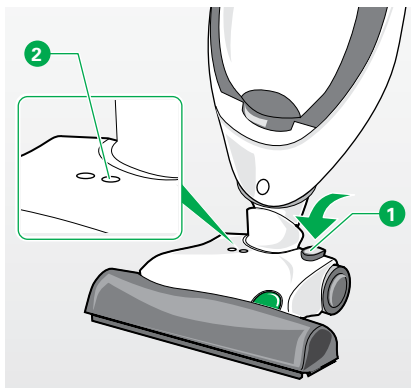


Fig. 3.3 Switching between normal and soft function

### SETTING

In general, we recommend power performance level A (Automatic).

- Select the appropriate setting for your flooring according to “Tab. 3.1 Settings for floor types” on page 28.
- Set the power performance level accordingly.
- Set the normal or soft function accordingly.

### TIPS FOR BRUSH SUCTION

- For an efficient brush-suction process, move the device back and forth in an even motion.
- To vacuum under furniture with little ground clearance, set the Kobold EB370 Electronic brush to power setting and tilt the Kobold flat on the ground.

Should you switch the vacuum cleaner into standby position, the rotating brushes will turn off automatically.



### **Caution! Risk of injury from debris flying out from under the brush!**

- Avoid abruptly placing the device on loose, coarse debris (e.g. glass shards), especially at eye level.
  - Use the soft function when vacuuming such debris.
  - Switch off the Electronic brush before lifting.
-



Power performance level	with normal function for the following floor types:	with soft function for the following floor types:
<b>1</b>		- silk carpeting - light, loose carpets - loose carpets with fringes
<b>A or 1-2</b>	- deep-pile carpeting - very dense velour carpeting	
<b>A or 2-3</b>	- conventional velour carpeting - loop pile carpeting	- Berber-style pile carpeting - Sisal carpeting - sensitive deep-pile carpeting

Tab. 3.1 Settings for floor types



The rotating roller brushes can also mechanically process and finely split the fringes with the soft function. Only pull the Kobold EB370 Electronic brush away from the carpet when passing over the fringes.

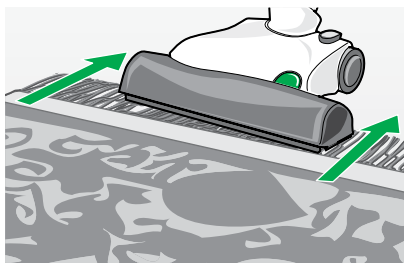


Fig. 3.4 Vacuum fringes using only reverse motions

### EXAMPLE OF APPLICATION: BRUSH-SUCTION OF CARPETS AND TEXTILE FLOORINGS

- Select the appropriate setting for your flooring according to the overview “Tab. 3.1 Settings for floor types” on page 28.
- Set the power performance level accordingly.
- If necessary, set the Electronic brush to soft function or normal function by using the foot switch.
- When vacuuming sensitive surfaces, set the Kobold EB370 Electronic brush to soft function with the foot switch before you start the cleaning process.
- Move the device back and forth in an even motion.

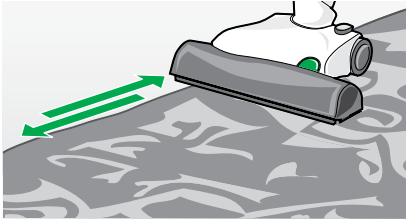


Fig. 3.5 Vacuum carpet edge parallel

---

**Note! Risk of damage from improper use!**

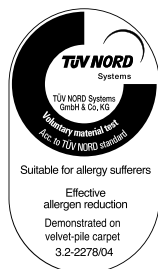
- Avoid working with the device on one specific spot for a prolonged period of time.
  - Avoid the suction of loose carpets/fringes.
- 
- Do not leave the device working on one specific spot for a prolonged period of time, otherwise you might damage the carpet.
  - Always move the device in a constant back and forth motion during operation.
  - Make sure that the brushes clean right up to the margin of the front and sides.
  - Therefore only vacuum the carpet margins parallel to the edge.







### 3.2.2 Carpet cleaning with the Kobold FK370 Freshener kit

Simply exchange the roller brushes of the Electronic brush with the Freshener kit and you are ready to clean the carpet like an expert. This chapter explains how to proceed.



Fig. 3.6 Kobosan



-  Depending on the degree of strain on your carpet, we recommend cleaning the carpet every 1 - 4 months.
-  If you wish to work on a larger surface, the best thing to do is to remove all movable furniture beforehand.
-  To clean carpets and carpet floorings, we recommend using Kobosan active. It contains the so-called “Anti-Soil” formula. This formula prevents carpets from absorbing dry dirt too quickly, which keeps it clean for a longer period of time. Kobosan active received the TÜV NORD certificate “Suitable for Allergic People“.
-  One bag of Kobosan active is enough for 3,5 - 7 square metres of carpet, depending on the degree of soiling.
-  Kobosan active can be purchased from your customer representative or at the service centre (see chapter “8 Services” on page 91).
-  Kobosan active can also be obtained at our online shop at [www.vorwerk-kobold.com](http://www.vorwerk-kobold.com)



### Warning! Risk of electric shock!

- Never use the Freshener kit with liquid, foam or damp cleaning agents.
- Only use dry cleaning powder such as Kobosan active.
- Always switch the device off and disconnect the mains power cord from the socket before all brush replacement, cleaning and maintenance work.

- Never disconnect the mains power cord from the mains by pulling the connecting cable, but rather by unplugging the mains power cord from the socket.

---

**Note! Risk of damage from improper use!**

- Test the colour fastness of the carpet against Kobosan active at an inconspicuous spot before application.
  - Do not use the Kobold FK370 Freshener kit on carpet fringes as these could be damaged by the Freshener kit.
  - Do not use the Freshener kit with the following floorings:
    - carpets with a pile height > 1.5 cm
    - needled felt and similar flooring
    - coco or sisal flooring.
  - Please note that a larger amount of wool abrasion can occur with wool carpets or berber-style pile carpeting.
- 

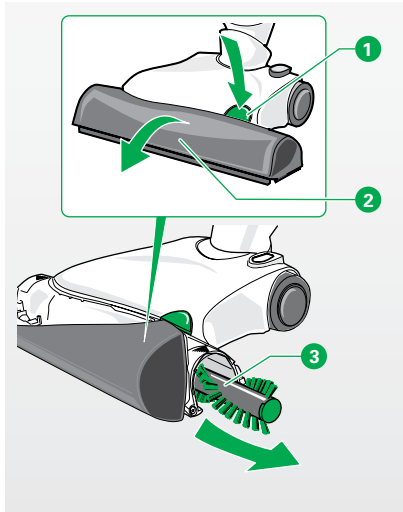


Fig. 3.7 Removing the roller brushes

- Before you start cleaning the carpet, apply the brush-suction process with the normal roller brushes of the Kobold EB370 Electronic brush as you usually do.
- Afterwards, proceed according to the following instructions:

**REMOVING THE ROLLER BRUSHES**

- Push the green release key ①.  
*The front cover will disengage.*
- Hold the release key ① and open the front cover on ② both sides.
- Pull the grey roller brushes ③ on the left and right hand side out of brush housing.

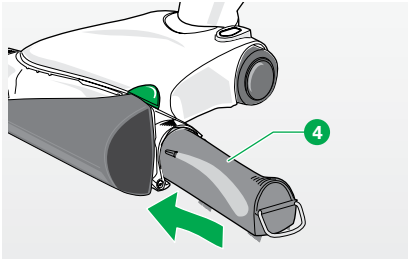


Fig. 3.8 Inserting the Freshener kit

### INSERTING THE KOBOLD FK370 FRESHENER KIT

The Freshener kit consists of two cartridges and two grey roller brushes.

- Insert the Freshener kit cartridge 4 with the green arrow into the side with the green symbol on the grey cover and the other Freshener kit cartridge into the opposite side.
- Make sure that you can hear the cartridges engage.
- Push the front cover down using both hands to the original position. Make sure that you can hear the front cover engage.

### WORKING IN KOBOSAN ACTIVE

- Distribute Kobosan active evenly onto your carpet.
- Switch on the device. *The suction motor will automatically remain deactivated with the Freshener kit in place.*
- Move the Kobold EB370 Electronic brush with the Freshener kit back and forth in adjacent streaks.
- Then move the Electronic brush laterally over the surface covered with Kobosan active.
- Depending on the degree of contamination, work in the Kobosan active for up to 3 minutes per square metre.
- Then leave it dry with a window opened. Depending on the type of carpet and the room temperature, it should take around half an hour to dry.

Before vacuuming Kobosan active:

- Switch the device off and unplug the mains power cord from the socket.
- Insert the grey roller brushes again as follows:

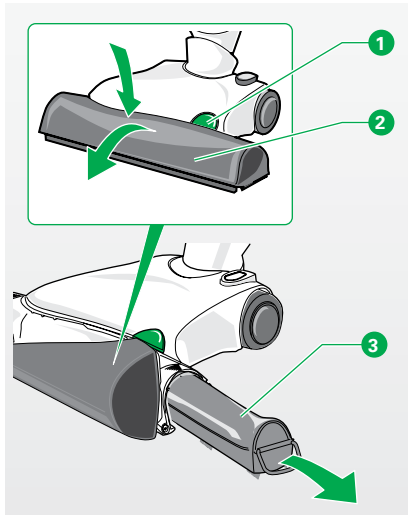


Fig. 3.9 Removing the Freshener Kit

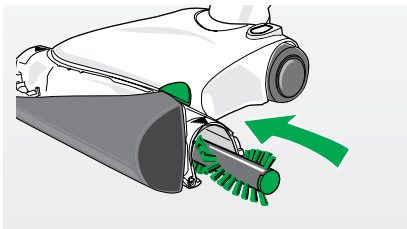


Fig. 3.10 Inserting the roller brushes

### REMOVING THE KOBOLD FK370 FRESHENER KIT

- Push the green release key **1**. *The front cover will disengage.*
- Hold the release key **1** and unfold the front cover **2** on both sides.
- Hold the Freshener kit cartridges **3** by the metal brackets and pull them out of the tunnel.

### INSERTING THE ROLLER BRUSHES

- Insert the grey roller brush with the green end into the side with the green symbol on the grey cover and the other roller brush into the opposite side.
- Push the front cover back down **2** using both hands. Make sure that you can hear the front cover engage.

### VACUUM KOBOSAN ACTIVE

- Vacuum Kobosan active with the bound contamination by using the Kobold EB370 Electronic brush as usual. Potential residue in the carpet is not harmful. It will be removed over time during daily maintenance.



Replace the filter bag in the Kobold VK150 Vacuum cleaner in due time. To do this, observe the suction value display.



Fig. 3.11 Using Kobotex

## REMOVING OLD STAINS

### Note! Risk of damage from improper use!

- Test the colour fastness of the carpet against Kobotex at an inconspicuous spot before application.

Old stains might become more visible after the carpet was cleaned. In most cases Kobotex will be able to remove these.

- Remove the stains with Kobotex **1** according the instructions on the bottle.

## CLEANING THE KOBOLD FK370 FRESHENER KIT

The Freshener kit must be cleaned immediately after use.



### Warning! Risk of electric shock!

- Never insert the Freshener kit into the Kobold EB370 Electronic brush if it is not fully dried after the cleaning process.

### Note! Damage to the device as a result of improper cleaning!

- Never use cleaning agents, solvents or alcohol to clean the Freshener kit.
- Do not dry the Freshener kit near heaters or in direct sunlight, as the plastic may heat up and deform.

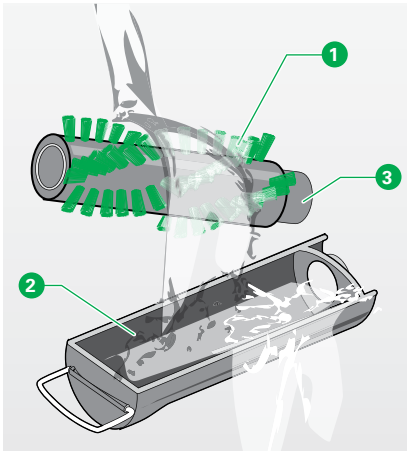


Fig. 3.12 Cleaning the Freshener kit

- Pull the Kobold FK370 Freshener kit out of the Kobold EB370 Electronic brush before cleaning.
- To do this, lift the freshener brushes **1** out of the Freshener kit with your fingers.
- Hold the freshener brushes in such a way that water cannot flow into the drive openings **3**.
- Rinse off the cartridges **2** and the freshener brushes **1** under cold or lukewarm water.
- To remove the water, shake the Freshener kit.
- Place the freshener brushes onto the drive opening **3** to dry.
- Make sure to place the freshener brushes with the yellow bristles into the cartridge with the green arrow when reinserting.

### 3.2.3 Cleaning mattresses

To clean mattresses, exchange the normal, grey roller brushes of the Electronic brush with the mattress brushes and you are ready to go. For more intensive cleaning, use the Freshener kit as well. In this chapter you will learn how to proceed.



We recommend Lavenia for cleaning mattresses. Lavenia not only easily removes dust, but also bacteria, mite faeces and mould spores to a large extent. Lavenia received the TÜV NORD certificate “Suitable for Allergic People“.



Lavenia can be used with all mattresses with textile and solid surfaces.



One bag of Lavenia is enough for a thorough cleaning of a 1 × 2 m mattress.

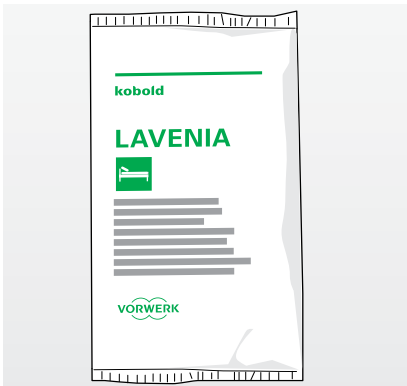
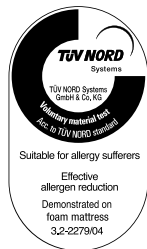


Fig. 3.13 Lavenia





Lavenia can be purchased at your customer representative or at the service centre (see chapter “8 Services” on page 91).



Lavenia can also be obtained at our online shop at [www.vorwerk-kobold.com](http://www.vorwerk-kobold.com)

---

**Note! Risk of damage as a result of incompatible cleaning agents!**

- Test the colour fastness of the mattress against Lavenia at an inconspicuous spot before application.

---

**Note! Risk of damage from improper use!**

- Avoid working with the device on one specific spot for a prolonged period of time (max. 5 sec.).
  - Under no circumstances should you use the Kobold EB370 Electronic brush and the Kobold FK370 Freshener kit to clean special or sensitive surfaces (e.g. jersey).
- 

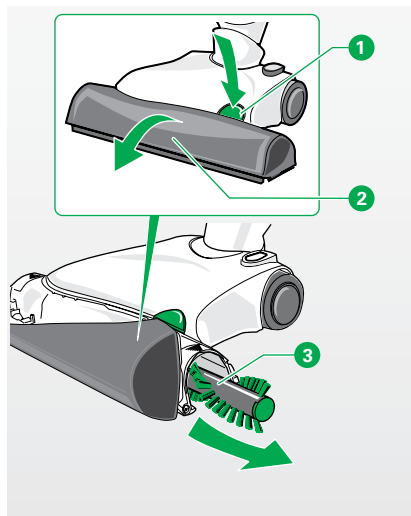


Fig. 3.14 Removing the roller brushes

### REMOVING THE ROLLER BRUSHES

- Push the green release key ①. *The front cover will disengage.*
- Hold the release key ① and unfold the front cover on ② both sides.
- Pull the grey roller brushes ③ on the left and right hand side out of the brush housing.

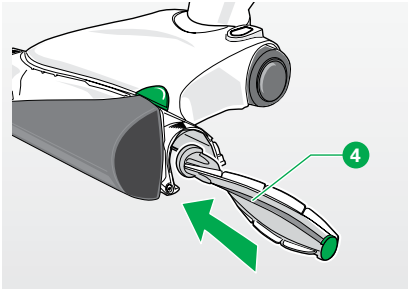


Fig. 3.15 Inserting the Mattress brushes

### INSERTING THE KOBOLD MB370 MATTRESS BRUSHES

- Insert the Mattress brush ④ with the green end into the side with the green symbol on the grey cover and the other roller brush into the opposite side.
- Applying a slight twist, push the Mattress brushes onto the drive shaft until they are completely inserted.
- Push the front cover back down using both hands. Make sure that you can hear the front cover engage.

### CLEANING MATTRESSES

- First, vacuum the mattress using power performance level 1.
- Distribute Lavenia evenly onto your mattress.
- Exchange the mattress brushes with the Freshener kit (chapter “Inserting the Kobold FK370 Freshener kit” on page 32).
- Switch on the device.
- Move the Kobold EB370 Electronic brush back and forth in adjacent streaks.
- Then move the Electronic brush laterally over the covered surface.
- Depending on the degree of contamination, work in Lavenia using the Freshener kit for 2 - 3 min. per 1 x 2 m.
- Allow the powder to dry for 30 min.
- Exchange the Freshener kit with the mattress brushes (chapter “Removing the Kobold FK370 Freshener Kit” on page 33).
- Switch the device to power performance level 1.
- Remove Lavenia with the Mattress brushes.

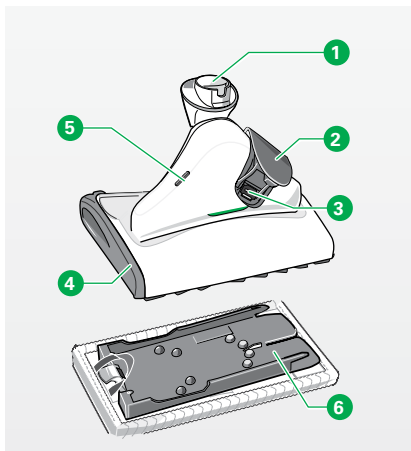


Fig. 3.16 The Hard floor cleaner

Legend	
1	Joint
2	Secondary air flap
3	Holding magnet
4	Side cover
5	LED display
6	Cloth holder with cloth

### 3.3 Kobold SP530 Hard floor cleaner

The Hard floor cleaner enables vacuum cleaning and wet cleaning of hard floors in only one step – with significant savings in time and effort. Additionally, the hard floor cleaner offers the possibility of dry cleaning.

The Hard floor cleaner cleans hard floors particularly efficiently. For a particularly thorough cleaning, the Hard floor cleaner has its own motor which drives the cloth holder with Cleaning cloth. The figure with the legend shows the Hard floor cleaner as well as its operating elements.

The Hard floor cleaner can be used on almost all hard floor types.

- Nevertheless, before using the Hard floor cleaner, make sure that the device is suited for your floor (Tab. 1.1 and Tab. 1.2 on page 6).



#### **Warning! Risk of electric shock!**

- With the Hard floor cleaner, never run over power cords or cables lying on the floor.
- Do not vacuum liquids.



#### **Caution! Risk of injury from moving parts!**

- Keep away from the moving parts of the Hard floor cleaner.

### 3.3.1 Accessories for Kobold SP530 Hard floor cleaner

#### CONCENTRATED CLEANING AGENT KOBOCLEAN

Koboclean is suitable for cleaning various waterproof floors. Thanks to its high cleaning power, even stubborn dirt can be removed reliably. Koboclean meets all legal requirements regarding environmental compatibility and biodegradability.

Koboclean is available as Koboclean Parquet which has been especially developed for cleaning wood surfaces (cork, parquet floors and laminate) and also as Koboclean Universal for cleaning all other wet wipeable surfaces (e.g. tiles, PVC). The concentrated cleaning agent Koboclean must be diluted before being used. It must not be applied directly.



Fig. 3.17 Concentrated cleaning agent Koboclean

#### KOBOLD MF520/530 CLEANING CLOTH

The Cleaning cloths have been especially developed for the Hard floor cleaner.

The Cleaning cloth is available in the following four types:

- “MF520/530 Parquet” for wet-cleaning wooden floors (cork, parquet, laminate),
- “MF520/530 Universal” for all other wet-wipeable surfaces (e.g. tiles, PVC; also suited for extremely rough surfaces)
- and “MF530 Dry” for dry cleaning hard floors (see Tab. 3.2 on page 40).
- The “MF520/530 Universal soft” Cleaning cloth is particularly suited for open-pored floors.

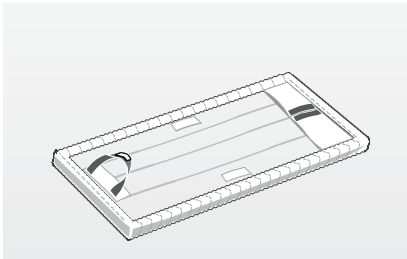


Fig. 3.18 Kobold MF520/530 Cleaning cloth

The Parquet, Dry and Universal Soft Cleaning cloths are not included in the scope of delivery of the basic set.

### SUITABILITY OF KOBOLD MF520/530 CLEANING CLOTHS FOR DIVERSE HARD FLOOR TYPES

	MF520/530 Universal	MF520/530 Universal Soft	MF520/530 Dry	MF520/530 Parquet
Moistening (ml)	100	80	-	60-80*
Sealed wooden floors/cork (e.g. parquet, floor boards)	+ <sup>1</sup>	+ <sup>1</sup>	++ <sup>1</sup>	++
Oiled, waxed wooden floors/cork (e.g. parquet, floor boards)	+ <sup>1</sup>	+ <sup>1</sup>	++ <sup>1</sup>	++
Unsealed wooden floors/cork	-	-	+	-
Laminate	+	++	++	++
Stone floors (e.g. marble, granite, Jura limestone, artificial stone)	++	++ <sup>2</sup>	++	-
open-pored natural stone (e.g. Solnhofen stone, slate, clinker plates)	+	++ <sup>2</sup>	++	-
Clay floors (e.g. terracotta, clinker, brick clay tiles)	+	++ <sup>2</sup>	++	-
ceramic tiles, glazed	++	+ <sup>2</sup>	++	-
elastic floors	++	++	++	-
rough concrete plates	-	-	-	-

#### Meaning of symbols:

- ++ excellently suited
- + suitable
- unsuitable

\* Follow the cleaning and care information issued by the manufacturer.

<sup>1</sup> Cloths contain microfiber; follow the cleaning and care instructions of the manufacturer. Follow the cleaning and care information issued by the manufacturer.

<sup>2</sup> On rough floors, an increased degree of wear is possible.

Tab. 3.2 Suitability of Cleaning cloths

### 3.3.2 Switching the Kobold SP530 Hard floor cleaner on/off



**Warning! Risk of electric shock!**

- Do not vacuum liquids.



**Caution! Risk of injury from moving parts!**

- Keep away from the moving parts of the hard floor cleaner.

**Note! Risk of damage from improper use!**

- Before activating the device, make sure that there are no small stones, granulates such as cat litter or other pointed or sharp-edged objects under the Cleaning cloth.
- Never work on the same spot for more than 10 seconds.
- Never leave the device standing on the floor with a wet cloth for a longer period of time (more than 30 seconds). Otherwise, delicate floors may be damaged.
- Never use the Hard floor cleaner without cloth.
- Never leave the Hard floor cleaner standing on floors which are particularly sensitive to moisture.

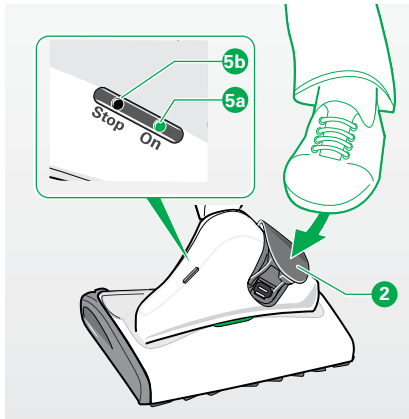


Fig. 3.19 Switching on the Hard floor cleaner

#### SWITCHING ON

In order to activate the Hard floor cleaner, the Kobold VK150 Vacuum cleaner must be switched on first:

- Switch on the Vacuum cleaner. *The LED display marked with “On” <sup>5a</sup> located at the Hard floor cleaner will light up green, and the Hard floor cleaner will be ready to operate.*
- Put the Vacuum cleaner in the vacuuming position.

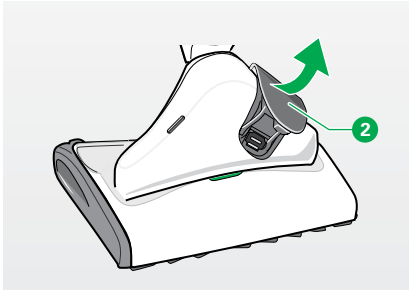


Fig. 3.20 Switching off the Hard floor cleaner

- Now, close the secondary air flap on the device by stepping onto the flap from behind. *The Hard floor cleaner will start when the flap has been closed.*

### SWITCHING OFF

In order to deactivate the Kobold SP530 Hard floor cleaner, the Kobold VK150 Vacuum cleaner must be switched off.

- Switch off the Vacuum cleaner.  
*The secondary air flap ② will open automatically.*  
*The secondary air flap will remain open when the Vacuum cleaner is switched off.*

If you want to put down the Hard floor cleaner for a short period of time only (less than 30 seconds), it is sufficient to put the Vacuum cleaner in its parking position.

- Put the Vacuum cleaner in its parking position and leave it switched on. *The Hard floor cleaner will deactivate automatically.*
- Put the Vacuum cleaner in the vacuuming position again. *The Hard floor cleaner will be switched on automatically.*

---

#### **Note! Risk of damage from improper use!**

- Never use the Hard floor cleaner without cloth.
- When working with the Hard floor cleaner, never use acid cleaning agents (e.g. vinegar-based cleaner) or highly alkaline cleaning agents (e.g. chlorine bleaching).

---

#### **Note!**

- Please also refer to the care instructions issued by the floor manufacturer.
-

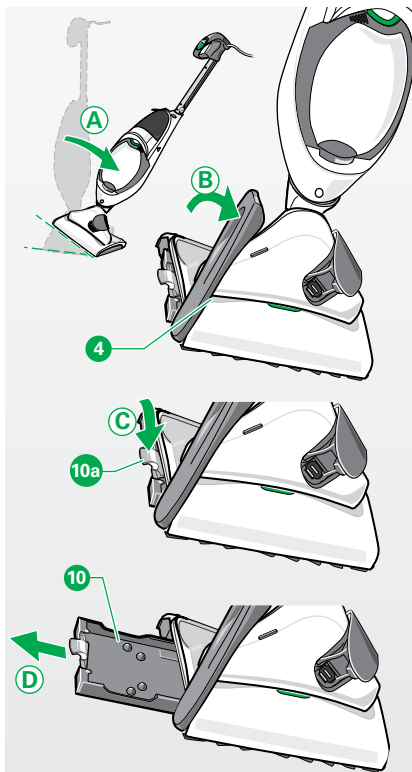


Fig. 3.21 Removing the Cloth holder from the device

## REMOVING THE CLOTH HOLDER SP520/530 FROM THE DEVICE

### ⚠ Warning! Risk of electric shock!

- For your own safety, switch off the Kobold VK150 Vacuum cleaner at its handle each time that the cloth is replaced and pull out the power plug in addition.

In order to be able to fix the cloth at the Cloth holder, the Cloth holder must be removed from the device first.

- Put the Vacuum cleaner in the parking position.
- Hold the Vacuum cleaner at its handle grip and tilt it towards the left-hand side (A).
- Fold the side cover 4 upwards in order to open it (B).
- Pull the Cloth holder diagonally downwards 10 at the handle grip (green) 10a in order to unlock it (C). *The Cloth holder can now be extracted from the device without any problems (D).*

## MOISTENING THE KOBOLD MF520/530 CLEANING CLOTH

### Note! Cloth treatment prior to first use!

- For optimised cleaning performance, we recommend washing the Cleaning cloths before their first use.

### Note! Repeated application when first used!

- Due to the special cleaning performance of the Kobold SP530 Hard floor cleaner, it is possible that, when using the device for the first time, floors will have to be cleaned several times in order to remove engrained dirt.



Afterwards, the Hard floor cleaner will deliver a convincing cleaning performance after each application.

---

**Note! Material damage when used on unsuitable floors!**

- For sensitive floors, such as floors which are not permanently sealed (oiled cork, oiled parquet, coated, oiled stoneware), it is recommendable to test the device at a hidden spot first in order to prevent damage to the floor.
- Please also refer to the cleaning and care information issued by the floor manufacturer.

---

**Note! Material damage from standing moisture!**

- In the case of floors which are extremely sensitive to moisture, rewipe the floors with a dry Kobold MF520/530 Parquet Cleaning cloth and the Kobold VK150 Vacuum cleaner at full power.
  - You should also rewipe the floor with a dry Parquet Cleaning cloth and the Vacuum cleaner at full power if the floor is too moist, e.g. because you have used an incorrect quantity of water.
- 

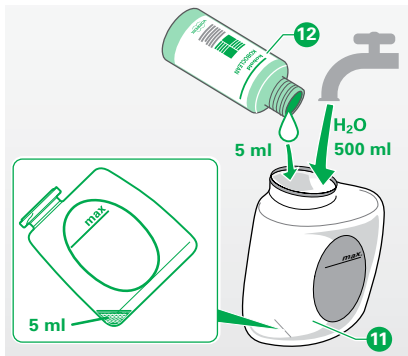


Fig. 3.22 Filling the SP520/530 Dosing bottle

For cleaning the hard floor with the Kobold SP530 Hard floor cleaner, Kobold MF520/530 Cleaning cloths, which have been specially developed for this application, are used. You can use both wet (MF520/530 Universal, Universal soft and Parquet) and Dry (MF520/530 Dry) Cleaning cloths.

For wet cleaning, the Cleaning cloth is to be moistened before.

The especially-developed SP520/530 Dosing bottle for simple, fast and hygienic moistening of cloths enables an exact dosing of the water quantity and the Koboclean cleaning agent.

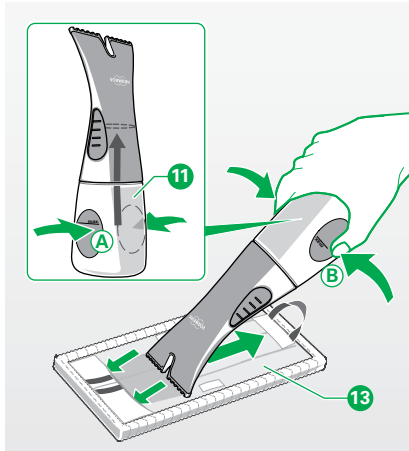


Fig. 3.23 Moistening the cloth

**For processed wood surfaces** (e.g. oiled/waxed cork, parquet, laminate), please use the Kobold MF520/530 Parquet.

- Open the Dosing bottle **11**.
- Take the lower part of the Dosing bottle and hold it diagonally so that the 5 ml mark is the lowest point.
- Add 5 ml of Koboclean Parquet cleaner **12** (up to the 5 ml mark).
- Fill the Dosing bottle with water up to the “max” mark and close it.
- Press the lower part of the Dosing bottle together (**A**) in order to pump the liquid into the upper part of the Dosing bottle.
- Equally distribute 60-80 ml of the liquid over the back of the Cleaning cloth by pressing (**B**) the lower part of the Dosing bottle **13**. Avoid applying the liquid onto the front/cleaning side.

*During the cleaning process, the Cleaning cloth will equally dispense the moisture required to the floor.*

**For all other floors suited for wet cleaning** (e.g. tiles, PVC), please use the “MF520/530 Universal” or “Universal soft” Cleaning cloth.

- Open the Dosing bottle **11**.
- Take the lower part of the Dosing bottle and hold it diagonally so that the 5 ml mark is the lowest point.
- Add 5 ml of Koboclean universal cleaner **12** (up to the 5 ml mark).
- Fill the Dosing bottle with water up to the “max” mark and close it.
- Press the lower part of the Dosing bottle together (**A**) in order to pump the liquid into the upper part of the Dosing bottle.
- Equally distribute 100 ml of the liquid over the back of the Cleaning cloth by pressing (**B**) the lower part of the Dosing bottle. **13** Avoid applying the liquid onto the front/cleaning side.

*During the cleaning process, the Cleaning cloth will equally dispense the moisture required to the floor.*

## FIXING THE KOBOLD MF520/530 CLEANING CLOTH AT THE KOBOLD CLOTH HOLDER

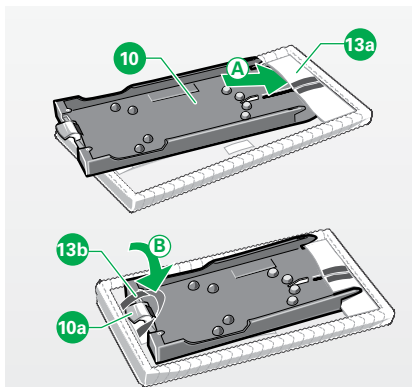


Fig. 3.24 Fixing the cloth holder at the cloth

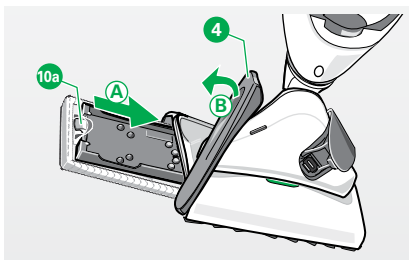


Fig. 3.25 Inserting the cloth holder into the device

### Note! Risk of damage from improper use!

- When fixing the cloth at the Cloth holder, please ensure that the cloth is fastened in an even position. Avoid an excessive inclination of the cloth towards the Cloth holder at all times.

- In order to fix the Cleaning cloth at the Cloth holder, slide the Cloth holder (10) into the bag (13a) of the cloth (A) first.
- Then, put the grip (13b) of the cloth over the handle grip (green) (10a) of the Cloth holder and fix it on the velcro strip provided at the handle grip (B).

## INSERTING THE CLOTH HOLDER INTO THE DEVICE



### Warning! Risk of electric shock!

- For your own safety, switch off the Vacuum cleaner at its handle each time that the cloth is replaced and pull out the power plug in addition.

### Note! Risk of damage from improper use!

- Avoid forced insertion and extraction of the Cloth holder.
- Hold the Kobold VK150 Vacuum cleaner at its handle grip, and tilt the Vacuum cleaner towards the left-hand side.

- Hold the Kobold SP520/530 Cloth holder at its handle grip (green) **10a** and, while the side cover is open, slide it **4** into the device until it has reached the end position **(A)**.
- Cause the Cloth holder to latch by pulling the handle grip upwards.
- Now, close the side cover by folding it downwards, and causing the cover to latch audibly **(B)**.

### CLEANING WITH THE KOBOLD SP530 HARD FLOOR CLEANER



#### **Caution! Risk of injury from ejected suction material!**

- Avoid moving the Hard floor cleaner laterally towards loose coarse particles (e.g. glass splinters).
- Do not clean at eye level while using the Hard floor cleaner (e.g. on stairs or platforms).
- Switch off the Hard floor cleaner before lifting it.

---

#### **Note! Risk of damage from improper use!**

- If the device hooks into objects or gets jammed, the Vacuum cleaner is to be switched off immediately in order to avoid damages.
- 

We recommend always operating the device set to suction stage 3.

- Move the Hard floor cleaner in regular paths.
- Ensure that the Hard floor cleaner is constantly in motion.

## REPLACING THE KOBOLD MF520/530 CLEANING CLOTH

### Note! Risk of damage from improper use!

- Never leave a wet cloth in the device when storing it.

If the Cleaning cloth is too dry or too dirty, remove it from the Kobold SP530 Hard floor cleaner and insert a new Cleaning cloth.

The service life of a Cleaning cloth depends on how dirty the floor is and on the floor type.

- Clean used Cleaning cloths in the washing machine at 60 °C without fabric softener.

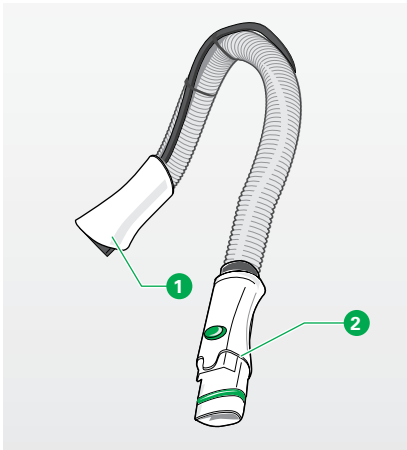


Fig. 3.26 Electronic suction hose

## 3.4 Kobold ESS150 Electronic suction hose

The Electronic suction hose can be used in a number of ways in connection with the Kobold.

### ATTACHING THE KOBOLD ESS150 ELECTRONIC SUCTION HOSE

- Insert the Electronic suction hose port **1** into the attachment socket of the Kobold.

**i** The handle **2** of the Electronic suction hose can be connected to the Kobold PB430 Polsterboy, the Kobold FD15 Flexo nozzle, the Kobold VD15 Variable nozzle or to the Accessory parts.

**i** Using the Polsterboy with the Electronic suction hose is especially convenient as the Polsterboy can be guided and used in a more precise way.

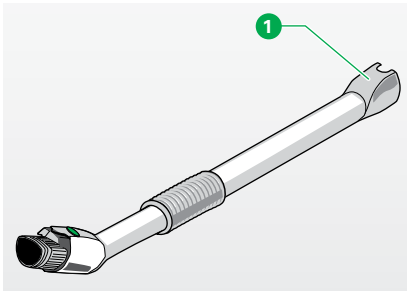


Fig. 3.27 Telescopic tube

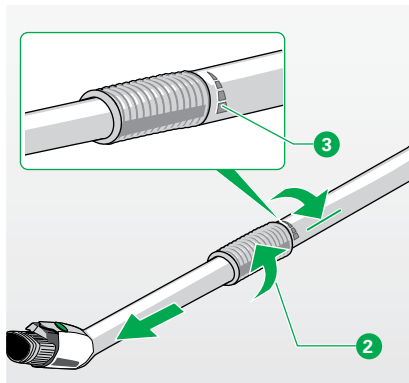


Fig. 3.28 Adjusting the length

### 3.5 Kobold TR15 Telescopic tube

Our Telescopic tube makes it possible to work on areas that are high up in the room. You can easily vacuum spider webs, dust in corners or dusty curtain rods without the hassle of having to use a ladder.



#### Caution! Risk of injury from non-sealed tube!

- Make sure to lock the handle before using the Telescopic tube.



Used with our Kobold FD15 Flexo nozzle, you can easily, conveniently and safely clean curtains or tapestry way up under the ceiling.



Thanks to the Kobold SD15 Soft nozzle, you can now easily remove dust from ceiling lamps and chandeliers.

#### CONNECTING THE TELESCOPIC TUBE

To use the Telescopic tube, the Kobold ESS150 Electronic suction hose must be connected to the Kobold VK150 Vacuum cleaner.

- Insert the adaptor of the Telescopic tube ① into the handle of the Electronic suction hose.

#### ADJUST LENGTH AND LOCK

- Turn the handle ② into the direction marked “open” (identifiable through the symbol ③) and adjust the Telescopic tube to the desired length.
- Turn the handle ② into the direction marked “close” to lock the telescopic handle in the adjusted length.

### 3.6 Kobold PB430 Polsterboy

The Polsterboy removes dust from your upholstered furniture in no time. Furthermore, it cleans upholstery faster than any other device because it vacuums and brushes it at the same time. This chapter explains how to operate the Polsterboy.

#### CONNECTING THE POLSTERBOY

- Connect the Electronic suction hose to the Kobold VK150 (chapter “3.4 Kobold ESS150 Electronic suction hose” on page 48).
- Connect the Polsterboy to the Electronic suction hose. To do this, slide the handle of the Electronic suction hose into the attachment socket ❶ of the Polsterboy.

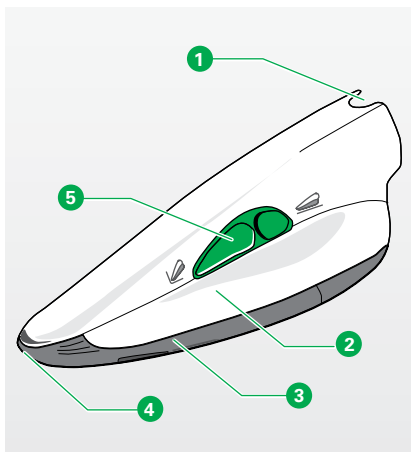


Fig. 3.29 Polsterboy

Legend	
❶	Attachment socket
❷	Recessed grips
❸	Suction nozzle
❹	Suction nozzle opening for joints
❺	Slider

#### ⚠ Caution! Risk of injury from moving parts!

- Do not vacuum any body parts. Do not vacuum near children or pets.
- Do not vacuum hair with the Polsterboy.
- Do not operate the Polsterboy without the Suction nozzle.

#### ⚠ Caution! Risk of injury from ejected, previously absorbed material!

- Avoid abruptly placing the device on loose, coarse particles (e.g. glass shards), especially at eye level.
- Switch on the Vacuum cleaner. The Polsterboy is automatically switched on as well.

### REGULATING THE SUCTION FORCE

- Regulate the suction force as usual on the Kobold VK150 Vacuum cleaner.
- Select power performance level 2 on your Vacuum cleaner in normal case.
- Select power performance level 1 on your Vacuum cleaner when dealing with loose and/or sensitive material.

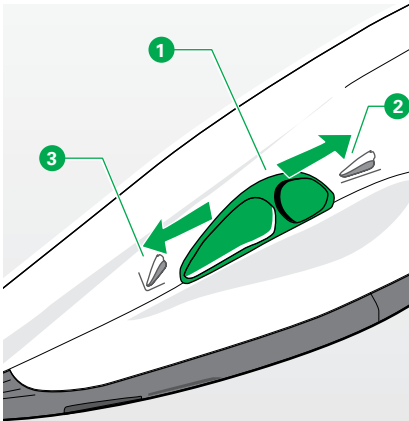


Fig. 3.30 Slider

### VACUUMING SURFACES

- Move the green slide ① into the position “Vacuum surface” ②.
- During the cleaning process, place the suction openings of the Kobold PB430 Polsterboy completely on the upholstery.
- Pass over the upholstery easily and without applying pressure.

### VACUUMING JOINTS

- Move the green slider into the position “Vacuum joint” ③.
- To vacuum residues in areas that are difficult to reach, such as joints, grooves or similar areas, use maximum suction force.
- To do this, set the Vorwerk vacuum cleaner to maximum suction force (power performance level 3).



### 3.7 Kobold GD15 Window cleaning kit

Used with your Kobold VK150 Vacuum cleaner, the Window cleaning kit removes dirt and dust from your windows and other even glass surfaces in no time. The Kobold Window cleaning kit cleans your windows thoroughly and streak-free.



#### **Caution! Risk of injury from improper use of the cleaning suspension!**

- Make sure that the cleaning suspension Koboclear is kept out of reach of children!
- Prevent the contact of cleaning suspension Koboclear with eyes. If the cleaning suspension Koboclear comes in contact with eyes, immediately wash the eyes with water!
- Prevent the swallowing of the cleaning suspension Koboclear. In case of swallowing, consult a doctor immediately and show him or her the packaging or label!
- Use the cleaning suspension Koboclear only in properly ventilated rooms!

---

#### **Risk of damage from improper use!**

- Apply the cleaning suspension Koboclear only on smooth and nontreated glass surfaces.
  - Avoid contact with sealants, window sills, window frames or floors.
  - Do not use Koboclear for windows with open-pored window frames.
-



Fig. 3.31 Koboclear cleaning suspension

### KOBOCLEAR CLEANING SUSPENSION

Koboclear mainly consists of water, alcohol and calcium carbonate (chalk). Koboclear fulfils the legally specified guidelines in terms of environmental friendliness and biodegradability. The cleaning suspension is suited for all nontreated, even glass surfaces. The dirt on the window panes is dissolved from the surface due to the cleaning suspension and bound with calcium carbonate (chalk). The alcohol content of about 10 percent ensures that the cleaning suspension dries up quickly after application on the window panes.



A bottle of Koboclear is sufficient for about 100 m<sup>2</sup>.

The cleaning suspension Koboclear can be used for about 2 years after opening the packing.



Koboclear can be purchased at your customer representative or at the Vorwerk shops or at the service centre (see chapter “8 Services” on page 91).



Koboclear can also be obtained at our online shop at [www.vorwerk-kobold.com](http://www.vorwerk-kobold.com)

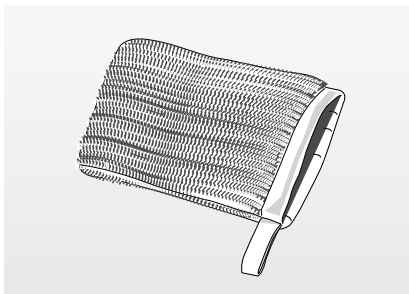


Fig. 3.32 Microfibre cloth

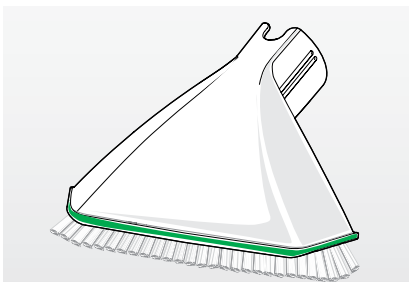


Fig. 3.33 Glass nozzles

### KOBOLD GLASS CLOTH GT15

The Glass cloth is made up of a special microfibre, which was selected specially for working with Koboclear cleaning suspension. Apply the cleaning suspension on the window panes by wearing the glass cloth and spreading it while applying little pressure.

### KOBOLD GLASS NOZZLE GD15

Using the Glass nozzle, remove the remaining, dry chalk powder (calcium carbonate) from the window panes. The chalk powder must be dry before vacuuming it with Glass nozzle. With the help of the bristles of the Glass nozzle Koboclear can easily be vacuumed off the pane. The Glass nozzle can reach each corner since the soft bristles are spread over the entire breadth of the Glass nozzle. The Glass nozzle is thus used as a hand brush, which cleans the pane and simultaneously vacuums the dust.

## 3.7.1 Operating the Kobold Window cleaning kit

This chapter explains how to operate the Kobold GD15 Window cleaning kit.

### PREPARATION OF WINDOW CLEANING

Using the Kobold ESS150 Electronic suction hose or the Kobold TR15 Telescopic tube, the Glass nozzle can be lead excellently and can be used flexibly as well as accurately.

- Connect the Electronic suction hose (chapter “3.4 Kobold ESS150 Electronic suction hose” on page 48).
- Connect the Telescopic tube (chapter “3.5 Kobold TR15 Telescopic tube” on page 49) to the Electronic suction hose.

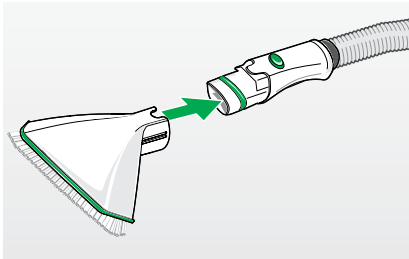


Fig. 3.34 Insert Glass nozzle onto the Electronic suction hose

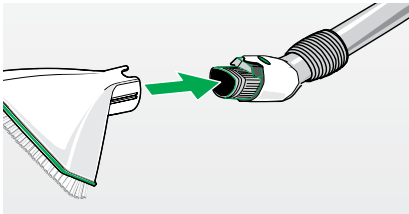


Fig. 3.35 Insert Glass nozzle onto the Telescopic tube



Fig. 3.36 Apply Koboclear on cloth

### CONNECT THE KOBOLD GLASS NOZZLE GD15 ONTO THE KOBOLD VK150 VACUUM CLEANER

- Attach the Glass nozzle to the Kobold ESS150 Electronic suction hose or the Kobold TR15 Telescopic tube. To do this, push the connection port of the Glass nozzle above the connection port of the Electronic suction hose or the Telescopic tube.
- Make sure that the Glass nozzle engages audibly in the connection socket of the Electronic suction hose or the Telescopic tube.

### DETACH GLASS NOZZLE FROM VACUUM CLEANER

- Press the button on the Electronic suction hose or Telescopic tube handle and pull out simultaneously the Glass nozzle from the connection piece.

## 3.7.2 Cleaning window panes



Vigorously shake the Koboclear cleaning suspension before using it!



Koboclear is highly efficient. Use it sparingly.

### THE KOBOLD WINDOW CLEANING TAKES PLACE IN THREE STEPS:

#### APPLY KOBOCLEAR

- Spread about 20 to 30 ml of cleaning fluid over the entire area of application of the Glass cloth when applied for the first time.
- Spread the cleaning suspension Koboclear evenly with the Glass cloth on the (nontreated) window pane, so that covered film remains on the window pane.

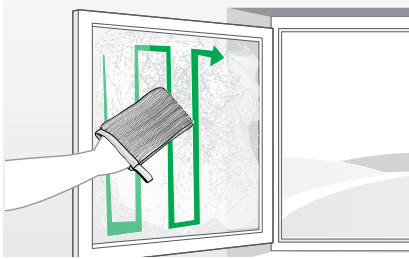


Fig. 3.37 Apply Koboclear

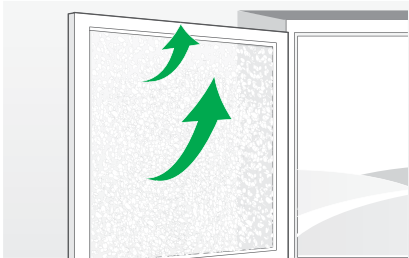


Fig. 3.38 Allow Koboclear to dry

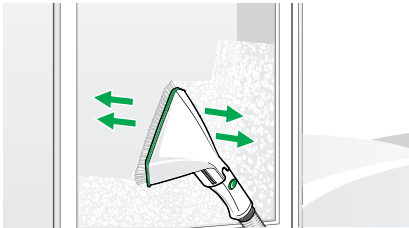


Fig. 3.39 Vacuum Koboclear

- For each further m<sup>2</sup> of glass surface, apply a smaller amount (1 to 2 squirts) of the Koboclear cleaning suspension onto the Kobold Glass cloth GT15.

### 3.7.3 Allow Koboclear to dry

The alcohol content of the cleaning suspension ensures that the window pane dries quickly. The drying time depends on the external conditions (air humidity, room and external temperature) and on the applied quantity of the cleaning suspension. White chalk powder (calcium carbonate) remains on the window pane.

### 3.7.4 Vacuum dried Koboclear

Using the Kobold Glass nozzle GD15, you can easily and quickly remove the white chalk powder without leaving any residue or streaks behind. Time-consuming polishing is not required.

- Allow Koboclear to dry.
- Leave the Glass nozzle with its suction openings placed completely on the glass surface while vacuuming.
- Push the Glass nozzles over the entire window pane in even motions and vacuum the chalk powder.

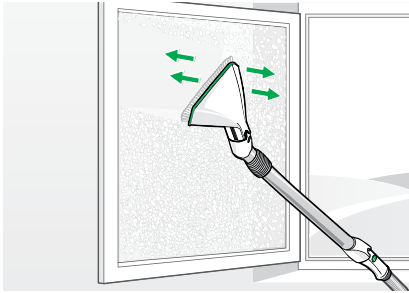


Fig. 3.40 Vacuum Koboclear with Telescopic tube

### VACUUMING BY CONNECTING THE KOBOLD TR15 TELESCOPIC TUBE

You can adjust the length of the Telescopic tube at the handle.

- Turn the handle **2** to “open” (identifiable through symbol **3**).
- Adjust the length of the Telescopic tube.
- Turn the handle to “close” (identifiable through the symbol **3**) to lock the Telescopic tube.

### REGULATE SUCTION FORCE

- Regulate the suction force on the Kobold VK150 Vacuum cleaner as usual.
- Select power performance level 3 in normal case of your Vacuum cleaner.

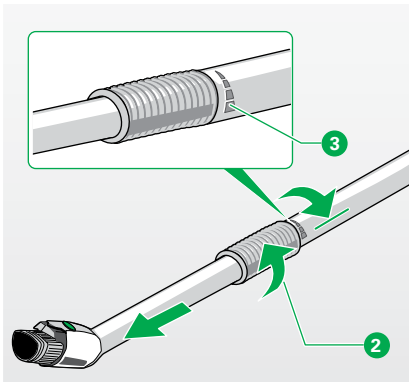


Fig. 3.41 Adjusting and locking the length of the Telescopic tube

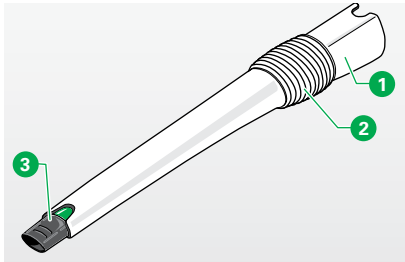


Fig. 3.42 Variable nozzle

Legend	
①	Socket
②	Joint
③	Tip (extractable)
④	Spring button

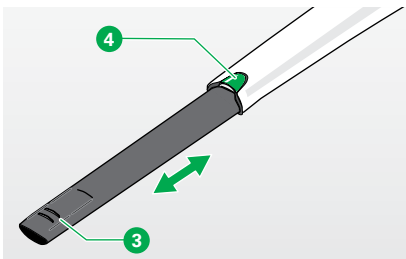


Fig. 3.43 Adjusting the length

## 3.8 Additional accessories

If you are using the nozzle product line, you will have the perfect solution for every case. This chapter will give you an overview of the different nozzles and their areas of application.

You can attach the accessories directly to the Kobold ESS150 Electronic suction hose or to the Kobold TR15 Telescopic tube/Electronic suction tube.

### 3.8.1 Kobold VD15 Variable nozzle

Your Variable nozzle is extremely versatile. It has two attachments that can be used for different tasks.

- Attach the socket ① of the Variable nozzle to the Electronic suction hose.

The Variable nozzle is provided with a joint ② so that you are able to vacuum at an angle of 90 degrees. The extendable and flexible tip ③ allows you to reach even those corners and spots that are hard to reach or very narrow. In addition, you can provide the tip with one of the attachments, ③ either with the Drilling dust attachment or with the Bristle brush.

#### ADJUSTING THE LENGTH

- Pull out the tip ③.
- To slide the extension back in again, push the spring button ④ and then slide the tip back.

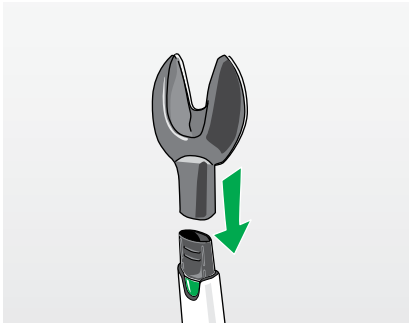


Fig. 3.44 Drilling dust attachment

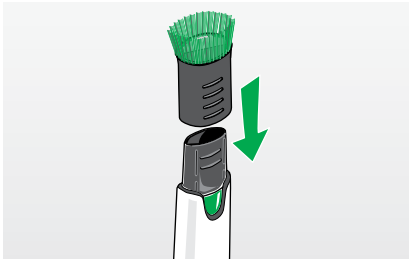


Fig. 3.45 Bristle brush

### DRILLING DUST ATTACHMENT

The Drilling dust attachment allows you to collect drilling dust. You can drill a hole into the wall without having to worry about dust polluting your apartment.

- Connect the Drilling dust attachment to the tip of the Kobold VD15 Variable nozzle.
- Switch on the Kobold VK150 Vacuum cleaner.
- Place the drilling dust attachment with the back seal against the wall.

Due to the suction force of the Vacuum cleaner, the Drilling dust attachment will adhere to the wall by itself, provided it is completely even. This way you can freely use your hands to drill the hole.



Remove the Drilling dust attachment from the wall before switching off the Vacuum cleaner.

### BRISTLE BRUSH

The Bristle brush enables your Variable nozzle to access even the smallest spaces and the tightest places. It is perfectly suited for vacuuming skirting boards and spaces between furniture and shelves.

- To do this, connect the Bristle brush to the tip of your Variable nozzle.





Fig. 3.46 Soft nozzle

### 3.8.2 Kobold SD15 Soft nozzle

Your Soft nozzle can either be used for vacuuming loose dust in a gentle manner or to remove adherent dirt. You can modify the bristle ring length and thereby adjust it to the type of surface. It is especially well-suited to vacuum uneven surfaces such as keyboards, bookshelves, lampshades and all types of furniture surfaces.

- Connect the Soft nozzle to the Kobold ESS150 Electronic suction hose.
- By using the slider ❶ you can adjust the bristle length.
- In the case of light dust or sensitive objects, increase the bristle length. To do this, move the slider ❶ forward.
- Decrease the bristle length by pulling the slider ❶ back if you wish to work on adherent dirt and non-sensitive surfaces.

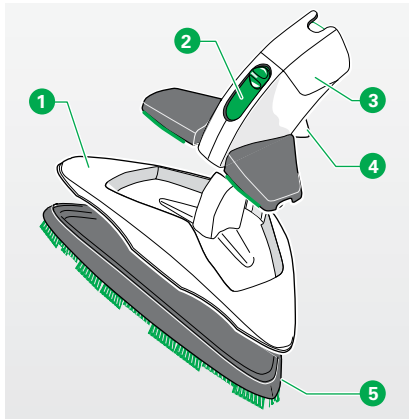


Fig. 3.47 Flexo nozzle

Legend	
1	Cleaning plate
2	Slider
3	Flexo nozzle - top part
4	Release lever
5	Bristle plate

### 3.8.3 Kobold FD15 Flexo nozzle

Your Flexo nozzle is a multi-purpose accessory that can be used on different surfaces. In order to do this you can adjust the nozzle for the different areas of application:

Nozzle setting	for vacuuming
Flexo nozzle – complete	- Furniture surfaces and stairs - Walls, doors
Flexo nozzle – top part	- Upholstery, fabrics, car seats
Flexo nozzle – folded	- Joints, corners - between upholstery
Cleaning plate without Bristle plate	- Tapestry, wall fabrics

#### FLEXO NOZZLE – COMPLETE

You can use the completely assembled Flexo nozzle to vacuum furniture surfaces or stairs.

For more functions, only use individual parts of the Flexo nozzle depending on the intended use:

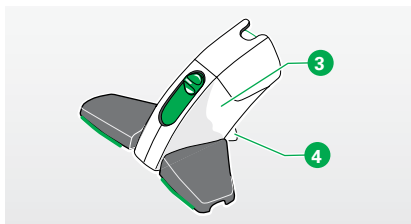


Fig. 3.48 Flexo nozzle – top part

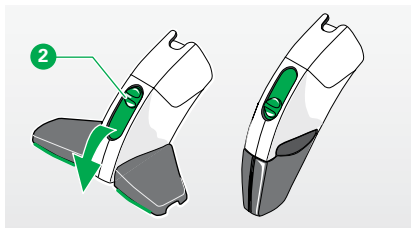


Fig. 3.49 Flexo nozzle – folded

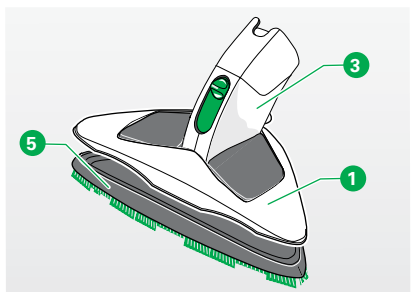


Fig. 3.50 Cleaning plate

### KOBOLD FD15 FLEXP NOZZLE – TOP PART

You would like to vacuum dust, threads and hair from upholstery, fabrics or the inside of your car?

- Then remove the nozzle's cleaning plate.
- To do this, push the release lever **4** on the backside of the attachment down.
- Slide the Flexo nozzle top part **3** upwards and out.
- Connect the nozzle to the Kobold ESS150 Electronic suction hose.

### FLEXP NOZZLE – FOLDED

You would like to vacuum dust from joints, corners or between upholstery?

- Remove the nozzle's cleaning plate.
- Push the release lever **4** on the backside of the attachment down.
- Slide the Flexo nozzle top part **3** upwards and out.
- Move the slider **2** down so that the nozzle's wings fold in.
- Connect the nozzle to the Electronic suction hose.

### CLEANING PLATE

You would like to clean larger areas such as furniture surfaces or stairs, walls and doors? Then use the nozzle's cleaning plate.

- Mount the Cleaning plate **1** to the top part **3** of the Kobold FD15 Flexo nozzle.
- Make sure all parts are correctly fitted.
- Connect the Nozzle to the Electronic Suction hose.
- To clean tapestry or textile wall coverings, remove the Bristle plate **5**.
- To remove the Bristle plate **5**, push up the bracket on the backside of the attachment and remove the white Bristle plate with a quick pull.

## 4 MAINTENANCE

Maintain your Kobold VK150 Vacuum cleaner regularly, so it can bring you maximum pleasure and proper functioning at all times. In the following chapter you will learn how to maintain the different devices and accessory parts and how to exchange parts.

Device / Accessories	Step	Time/Frequency
Kobold VK150 Vacuum Cleaner	Exchange the Premium filter bag	Suction value display (yellow), only when the device is operated in level 3
	Cleaning the Motor protection filter	if dirty
	Exchange the Motor protection filter	if very dirty
	Cleaning the filter unit	if dirty
Kobold EB370 Electronic brush	Check and clean	Once a month
	Exchange brushes	if worn
Kobold SP530 Hard floor cleaner	Checking and cleaning the sealing lip frame	if required
	Checking the suction channel	if required
Kobold PB430 Polsterboy	Clean	if dirty
Window cleaning kit (Kobold GD15 Glass nozzle and Kobold GT15 Glass cloth)	Clean	if dirty
Additional accessories	Clean	if dirty

**Warning! Risk of electric shock!**

- Always switch the device off before all retrofitting, cleaning and maintenance work and disconnect the mains power cord from the socket.
- 

## **4.1 Spare parts and consumable materials**

You have purchased a quality product from Vorwerk. To keep you as satisfied in the future with your Kobold device as you were the first day, we recommend you take advantage of our reorder options for original care products and original consumables in time.

Certified quality can be identified by the Original Quality Logo!



Vorwerk has made reorders easy:



Either in person at your customer representative or at the service centre (see chapter “8 Services” on page 91).



At our online shop at [www.vorwerk-kobold.com](http://www.vorwerk-kobold.com)



Fig. 4.1 Consumables that can be reordered f.l.t.r.: Kobotex, Koboclear, Koboclean, Lavenia, Kobosan active, Dovina fragrance chip, Premium filter bag FP 140/150, Kobold MF520/530 Cleaning cloth

## 4.2 Maintaining Kobold VK150 Vacuum cleaner

### 4.2.1 Exchange Premium Filter bag Kobold FP140/150

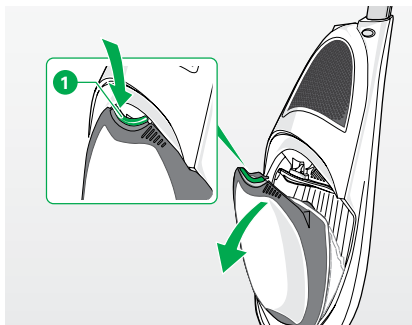


Fig. 4.2 Opening the filter unit



**Caution! Loss of suitability for allergy-sufferers!**

- Use original Vorwerk filters and filter bags only.
- Do not reuse spent Filter bags.

**Note! Risk of damage from improper use!**

Dampness in the filter area can damage the device.

- Should the filter area be damp, make sure to dry it before using the device any further.
- Exchange the filter bag and the Motor protection filter.



Vorwerk Premium filter bags can be purchased at your customer representative or at the service centre (see chapter “8 Services” on page 91).



Vorwerk Premium filter bags can also be obtained at our online shop at [www.vorwerk-kobold.com](http://www.vorwerk-kobold.com)

#### OPENING THE FILTER UNIT

- Pull the green lever **1** and open the cover of the filter unit.

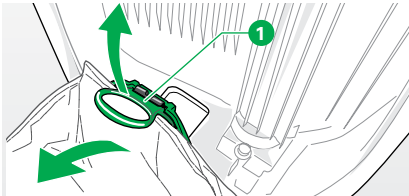


Fig. 4.3 Removing the Premium filter bag

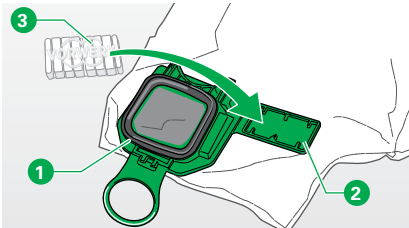


Fig. 4.4 Inserting the Dovina fragrance chips

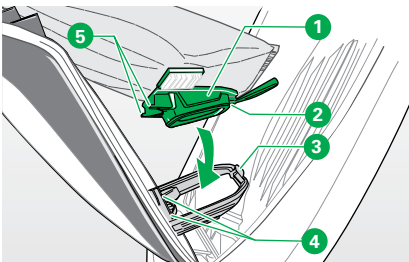


Fig. 4.5 Inserting the Premium filter bag

### REMOVING THE PREMIUM FILTER BAG KOBOLD VK140/150

- Fold the green ring ① forwards so that the hatch of the filter snaps out of the base plate.
- Remove the filter bag and dispose of the filter bag with the household waste.

### INSERTING THE DOVINA FRAGRANCE CHIPS



#### Caution! Choking hazard from swallowing small parts!

- Keep small parts such as the Dovina fragrance chips away from children.
- Remove the Dovina fragrance chip ③ from the packaging and place it in the holder ② on the side of the hatch ①.

### INSERTING THE NEW PREMIUM FILTER BAG

#### Note! Risk of damage from improper use!

- Avoid inserting the Filter bag forcefully.
- Hold the Filter bag with the hatch ① facing down.
- First, stick the two noses ⑤ of the hatch into corresponding openings ④.
- Push the top part of the hatch ② against the metal clip of the frame and connect the hatch to the frame ③ so that you can hear it snap in.
- Push the corners of the Filter bag between the leads at the filter cover of the Kobold VK150 Vacuum cleaner.
- Ensure that the filter bag is placed completely under the filter cover.



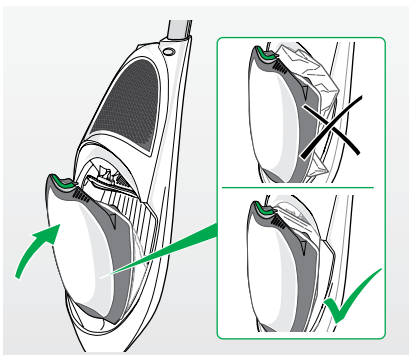


Fig. 4.6 Closing the filter unit

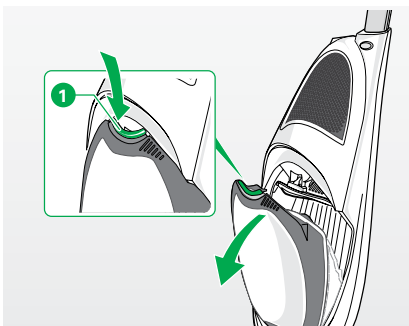


Fig. 4.7 Opening the filter unit

### CLOSING THE FILTER UNIT

- Push the filter cover shut until the cover lock engages.
- If the Premium Filter bag Kobold VK140/150 is not placed in the frame correctly or if it is not placed in the frame at all, the Kobold's filter unit will not close. The same applies if a wrong filter is inserted.
- If the filter cover can only be closed with difficulty, do not use force. Instead, ensure that the filter bag has been inserted correctly.

## 4.2.2 Cleaning and exchanging the Kobold VK150 Motor protection filter

The Motor protection filter serves to protect your Kobold VK150 Vacuum cleaner from pollution. To ensure a long service life for your Vacuum cleaner, make sure to maintain the Motor protection filter regularly.

---

### Note! Risk of damage from improper use!

- Use the device only with the inserted Motor protection filter.
- 

The Motor protection filter can be cleaned as many times as necessary. It must only be exchanged if the filter bag has been damaged or if the Motor protection filter is extremely dirty.

- Pull the green lever **1** and open the cover of the filter unit.
- Press the shackle **2** of the frame of the motor protection filter **3** until the Motor protection filter is released from the fastening device (see Fig. 4.8 on page 69).

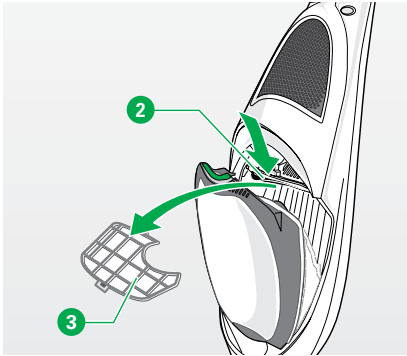


Fig. 4.8 Motor protection

## CLEANING THE KOBOLD VK150 MOTOR PROTECTION FILTER

**Note! Risk of damage from improper use!**

- Do not clean the Motor protection filter with water or other fluids.

## EXCHANGING THE MOTOR PROTECTION FILTER

- If the Motor protection filter has been damaged or is extremely dirty, insert a new one.



The Motor protection filter can be purchased at your customer representative or at the service centre (see chapter “8 Services” on page 91).



Motor protection filters can also be obtained at our online shop at [www.vorwerk-kobold.com](http://www.vorwerk-kobold.com)

## INSERTING THE MOTOR PROTECTION FILTER

- Insert the Motor protection filter. Make sure that the Motor protection filter snaps into place.
- Close the filter unit.

**Note! Risk of damage as a result of improper use!**

- Use the device only with the inserted Motor protection filter.

### 4.3 Kobold EB370 Electronic brush



#### Warning! Risk of electric shock!

- Always switch off the device before all retrofitting, cleaning and maintenance work and disconnect the mains power cord from the socket.



#### Caution! Risk of injury from moving parts!

- Stay clear of the moving parts of the Electronic brush.

#### 4.3.1 Checking and cleaning

##### BOTTOM SIDE

- Check the bottom side every once in a while to prevent damage to the device and floor.

##### FRONT NOZZLES

Should small stones get stuck in the front nozzles **1**, you can best remove these objects using a pointed object such as a screwdriver.

##### ROLLER BRUSHES

If threads have coiled around the roller brushes, you can simply cut them using scissors.

- To do this, move the scissors inside the slot **3** along the side wall of the roller brushes.
- Cut the threads and remove them.
- In case the threads are heavily entangled, remove the brushes first and then the threads.

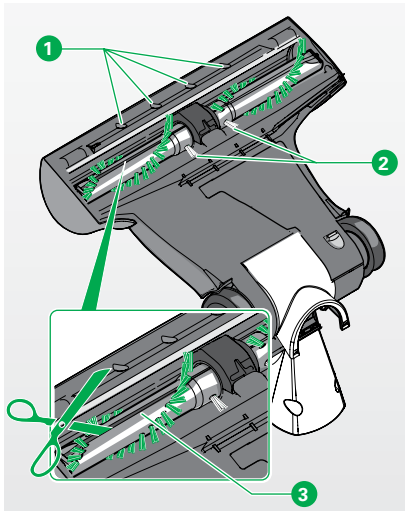


Fig. 4.9 Checking and cleaning the roller brushes

### CHECKING ROLLER BRUSHES

The green tufts of bristles must be longer than the yellow tufts (2, Fig. 4.9 on page 70). Otherwise the Kobold EB370 Electronic brush will not have the desired brushing effect.

- Check from time to time if the green tufts of bristles are still longer than the yellow tufts (2, Fig. 4.9).
- If they are not, exchange the roller brushes.

### 4.3.2 Exchanging the brushes

#### REMOVING THE ROLLER BRUSHES

- Push the green release key 1. *The front cowling will disengage.*
- Hold the release key 1 and open the front cowling on 2 both sides.
- Pull the grey roller brushes 3 on the left and right hand side out of the tunnel.
- Clean the carrier shaft 4 if necessary.

#### INSERTING THE ROLLER BRUSHES

- Insert the roller brush with the green end into the side with the green symbol on the grey cover and the other roller brush into the opposite side.
- Always change both roller brushes. Applying a slight twist, push the roller brushes onto the drive shaft until they are completely inserted.
- Check if the brushes are still firmly in place on the drive shaft.
- Close the front cowling using both hands. Make sure that you can hear the front cowling engage.
- If the front cowling will not close, then the roller brushes are not inserted far enough.

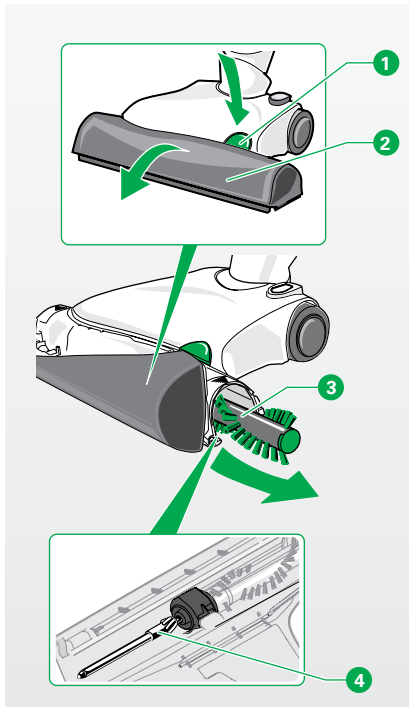


Fig. 4.10 Removing the roller brushes



Roller brushes can be purchased at your customer representative or at the service centre (see chapter “8 Services” on page 91).



Roller brushes can also be obtained at our online shop at [www.vorwerk-kobold.com](http://www.vorwerk-kobold.com)

#### **4.4 Kobold SP530 Hard floor cleaner**

---



##### **Warning! Risk of electric shock!**

- Always deactivate the Hard floor cleaner before performing any refitting, cleaning or maintenance work. Before cleaning and maintenance work, the power plug must also be pulled out.
- Never clean electrical connections with water, wet cleaning agents or the wet Vorwerk Cleaning cloths.
- Never pour water over the device. Never rinse it with running water.



##### **Caution! Risk of injury through trapping of body parts!**

- Keep away from the moving parts of the Hard floor cleaner.
-

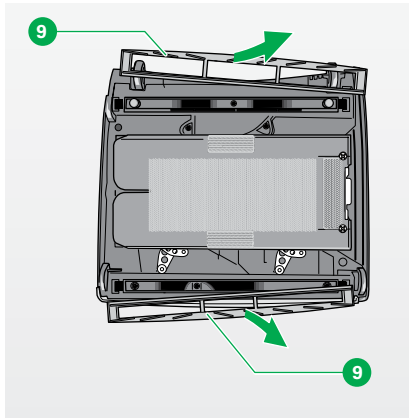


Fig. 4.11 Dismounting the sealing lip frame

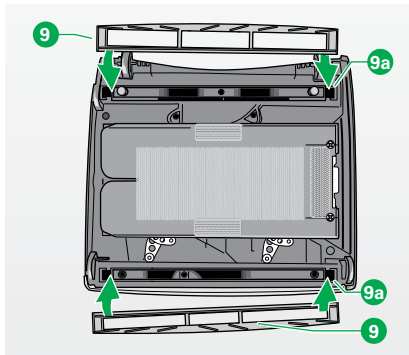


Fig. 4.12 Mounting the sealing lip frame

#### 4.4.1 Checking and cleaning the sealing lip frame

Check the condition of the sealing lips regularly; if required, remove fluff balls, hairs, etc.

##### DISMOUNTING THE SEALING LIP FRAME

In order to be able to clean the sealing lips thoroughly, the frames can be dismantled from the device.

Position the device on the floor or on a table so that the side to be cleaned (the underside) is turned upwards.

- Grip the centre of the Sealing lip frame **9** and pull it towards you so that it detaches from its catch mechanism.
- If required, clean the sealing lip frame with running water.

##### MOUNTING THE SEALING LIP FRAME

Before remounting the Sealing lip frames in the device, they must have dried completely. Due to their different engagement hooks, each sealing lip frame only fits at one side of the device. Here, the end-to-end sealing lip of the frame must be directed inwards.

- Put the sealing lip frame **9** with its engagement hooks in the intended catch mechanism at the device, at first at only one side **9a**.
- Slightly press the sealing lip frame together so that you are also able to insert the second side.

#### 4.4.2 Checking the suction channel

Regularly check the suction channels for blockage.

- To remove blockages, remove the suction channel **7** from the device at the lower end.
- Remove any objects **15** blocking the device.
- Re-insert the suction channel by pressing it into the aperture in the device until you can feel it latching.

*The suction channel has reached its correct position when the bracket **6** can be moved freely after having been inserted.*

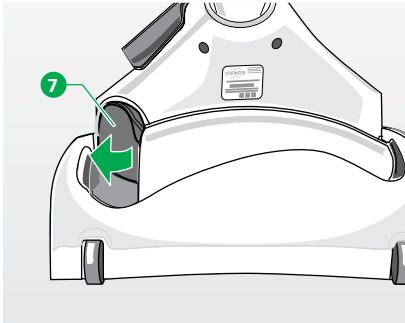


Fig. 4.13 Extracting the suction channel

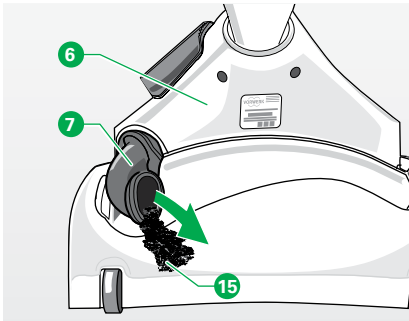


Fig. 4.14 Removing objects

## 4.5 Kobold PB430 Polsterboy



### Warning! Risk of electric shock!

- Always switch the device off before all retrofitting, cleaning and maintenance work and disconnect the mains power cord from the socket.
- Never clean the Polsterboy or the suction nozzle with water or damp cleaning agents.



### Caution! Risk of injury from ejected, previously absorbed material!

- Avoid abruptly placing the device on loose, coarse particles (e.g. glass shards), especially at eye level.

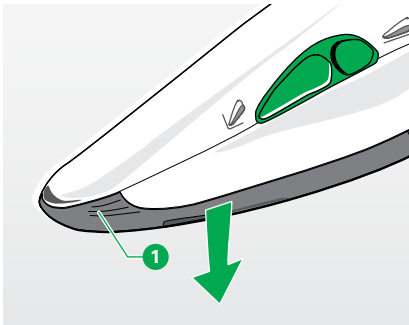


Fig. 4.15 Remove suction nozzle

- Unplug the Polsterboy from the suction hose.
- Hold the suction nozzle by the finger grooves ❶ on the suction opening.
- Pull off the Suction nozzle by pulling it downwards.
- Brush or wipe the device dry.
- Check the suction nozzle every once in a while to ensure that no threads or hairs have coiled around the roller brushes.
- If so, remove the suction nozzle.
- Cut the threads or hairs with small scissors.
- When inserting the suction nozzle, place the tips of the nozzle into the intended openings first.
- Push the suction nozzle at the finger grooves ❶ firmly against the device. Make sure that you can hear the suction nozzle engage.





Fig. 4.16 Vacuum Glass nozzle

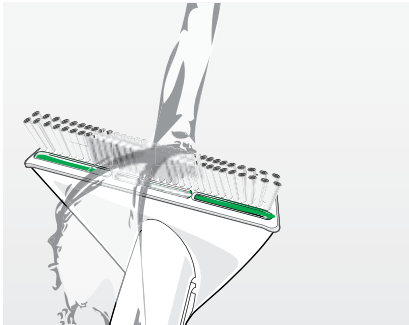


Fig. 4.17 Rinse Glass nozzle

## 4.6 Kobold Window cleaning kit



### Warning! Risk of electric shock!

- Always switch the Kobold VK150 Vacuum cleaner off before all retrofitting, cleaning and maintenance work and disconnect the mains power cord from the socket.
- Never insert the Kobold Glass nozzle GD15 into the Vacuum cleaner, if the Glass nozzle is still wet after cleaning.

### Note! Risk of damage from improper use!

- Do not dry the Glass nozzle near the heating bodies or in direct sun, since the plastic may distort.

Device/ accessories	Time/Frequency	Step
Kobold GD15 Glass nozzle	after every window cleaning	<ul style="list-style-type: none"> <li>• Unplug the Glass nozzle from the suction hose or Kobold TR15 Telescopic tube.</li> <li>• Vacuum the bristles of the Glass nozzle by using the Vacuum cleaner.</li> </ul>
	if required in between	<ul style="list-style-type: none"> <li>• Unplug the Glass nozzle from the suction hose or Telescopic tube.</li> <li>• Clean the Glass nozzle under flowing water to rinse off the chalk powder residue from the nozzle.</li> <li>• Allow the Glass nozzle to dry completely before using it again.</li> </ul>

Device/ accessories	Time/Frequency	Step
Kobold GD15 Glass cloth	after every window cleaning	<ul style="list-style-type: none"> <li>• Thoroughly wash the Glass cloth under flowing water.</li> </ul>
	if required	<ul style="list-style-type: none"> <li>• Wash the Glass cloth in the wash machine at max. 60 °C without fabric conditioner, as specified on the Glass cloth label.</li> </ul>

## 4.7 Additional accessories

The following chapter applies for the following accessories:

- Kobold HD50 Hard floor attachment
  - Kobold VD15 Variable nozzle
  - Kobold FD15 Flexo nozzle
  - Kobold SD15 Soft nozzle
- The accessory parts can be rinsed off under flowing water.
  - Allow the accessory parts to dry off before reinserting them.
  - Clean the bristles of the Soft nozzle with soap and lukewarm water.

## 5 TROUBLESHOOTING



### Warning! Risk of electric shock and injury!

- Never perform repairs on your device yourself. Repairs to electric devices may only be carried out by the responsible Vorwerk customer service department.

If your device is not working properly, it may be due to one of the following causes:

### KOBOLD VK150 VACUUM CLEANER

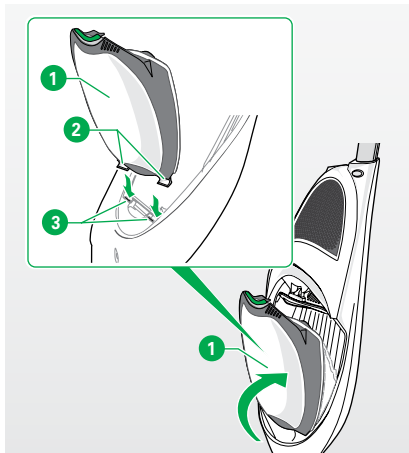


Fig. 5.1 Reinsert the cover

Fault	Possible causes and rectification
Filter cover has become detached from the device.	<p>It is possible you have bumped against the opened cover.</p> <p>Reinsert the cover:</p> <ul style="list-style-type: none"> <li>• Lay the Kobold VK150 Vacuum cleaner horizontally on the floor.</li> <li>• Place the filter cover <b>1</b> in a 60° angle onto the pivots <b>3</b> of the device.</li> <li>• Strongly push the filter cover <b>1</b> with the studs <b>2</b> into the pivots <b>3</b> until they snap in with a click.</li> </ul>
The Vacuum cleaner releases an unpleasant odour.	<p>The Premium Filter bag FP140/150 has lost the ability to retain odours even though it is not full.</p> <ul style="list-style-type: none"> <li>• Exchange the Premium Filter bag and insert a new Dovina fragrance chip.</li> <li>• Thoroughly clean the suction channel of the Vacuum cleaner and/or the connected device as well as the Motor protection filter.</li> </ul>

**KOBOLD VK150 VACUUM CLEANER**

Fault	Possible causes and rectification
<p>The Vacuum cleaner suction force is declining.</p>	<p>The Premium Filter bag FP140/150 is probably full.</p> <ul style="list-style-type: none"> <li>• Exchange the Premium Filter bag.</li> </ul> <p>The Suction channel of the Vacuum cleaner or that of another connected device is blocked.</p> <ul style="list-style-type: none"> <li>• Clean the Suction channel of the Vacuum cleaner and/ or that of the connected device.</li> <li>• Ensure that the suction value display in level 3 does not light up yellow. Otherwise exchange the Premium Filter bag.</li> </ul> <p>The Motor protection filter is extremely dirty.</p> <ul style="list-style-type: none"> <li>• Clean or exchange the Motor protection filter (chapter “4.2.2 Cleaning and exchanging the Kobold VK150 Motor protection filter” on page 68).</li> </ul>
<p>The Vacuum cleaner will set itself to a different performance level and will become louder.</p>	<p>After prolonged use, with high ambient temperature or when the Filter bag is full or blocked, the Kobold will set itself to a different performance level as a result of overheating so that the suction performance can no longer be regulated. In this case the valve will open automatically allowing air to flow directly into the inside of the motor.</p> <ul style="list-style-type: none"> <li>• Check the Suction channel and the connected accessory parts.</li> <li>• Remove the blockages and exchange the Premium Filter bag if necessary.</li> <li>• Let the motor cool down.</li> </ul>
<p>Device is not working.</p>	<p>The connector plug of the connecting cable may not be properly engaged.</p> <ul style="list-style-type: none"> <li>• Ensure the a connection has been established correctly (clicking).</li> </ul>

## KOBOLD EB370 ELECTRONIC BRUSH

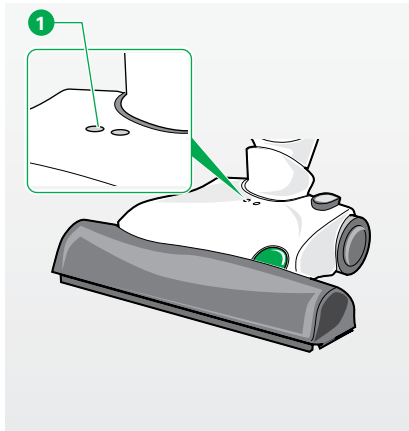


Fig. 5.2 The operation display is flashing

Fault	Possible causes and rectification
<p>The Kobold EB370 Electronic brush is too loud.</p>	<p>The roller brushes are not correctly inserted.</p> <ul style="list-style-type: none"> <li>• Check if the roller brushes are correctly inserted. The roller brushes must always be aligned with the corresponding coloured symbol (green to green).</li> <li>• Always exchange both brushes.</li> </ul> <p>Maybe original Kobold accessories were not used, which can lead to bearing or motor failure.</p> <ul style="list-style-type: none"> <li>• Use original Kobold roller brushes only.</li> </ul> <p>An object might have got stuck in the area around the roller brushes.</p> <ul style="list-style-type: none"> <li>• Remove the object.</li> </ul> <p>It can get noisy when used on hard flooring.</p>
<p>Threads have coiled around the roller brushes.</p>	<ul style="list-style-type: none"> <li>• Cut the threads as described in the maintenance chapter “4.3 Kobold EB370 Electronic brush” and “4.3.1 Checking and cleaning” on page 70.</li> </ul>
<p>The Electronic brush will switch off automatically, the operation display <b>1</b> is flashing.</p>	<p>A vacuumed object is blocking the brushes of the Electronic brush.</p> <ul style="list-style-type: none"> <li>• Switch the device off and unplug the mains power cord from the socket.</li> <li>• Remove the object.</li> </ul> <p>Threads block the Electronic brush.</p> <ul style="list-style-type: none"> <li>• Cut the threads as described in the chapter on maintenance “4.3 Kobold EB370 Electronic brush” and “4.3.1 Checking and cleaning” on page 70.</li> </ul>

**KOBOLD EB370  
ELECTRONIC BRUSH**

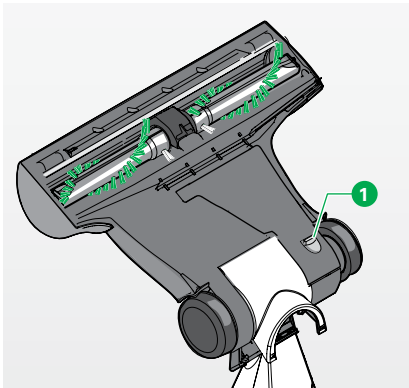


Fig. 5.3 Inspection flap on the bottom side of the Electronic brush

**KOBOLD FK370 FRESHENER KIT**

Fault	Possible causes and rectification
The cowling will not close.	The roller brushes are not pushed in far enough or have been mixed up.  Slide in the roller brushes all the way to the end. <ul style="list-style-type: none"> <li>• Check if the roller brushes have been inserted on the correct side.</li> </ul>
The Suction channel of the Electronic brush is blocked.	<ul style="list-style-type: none"> <li>• Open the inspection flap 1 on the bottom side of the Electronic brush.</li> <li>• Remove the blockage.</li> <li>• To do this, use an appropriate object (e.g. screwdriver, crochet needle).</li> </ul>
The Electronic brush can only be moved with great difficulty.	You might have set the power performance level too high. <ul style="list-style-type: none"> <li>• Use the main switch on the Kobold VK150 Vacuum cleaner handle to set the device to a lower power performance level or use the automatic setting in general.</li> </ul>
The device will not work after exchanging the roller brushes.	The Electronic brush is not connected properly to the base device. <ul style="list-style-type: none"> <li>• Check if the plug connection between the Electronic brush and the base device is correctly engaged.</li> </ul> The roller brushes are not correctly inserted. <ul style="list-style-type: none"> <li>• Place the roller brushes exactly onto the drive axles.</li> </ul>

Fault	Possible causes and rectification
The Kobold FK370 Freshener kit does not fit into the Electronic brush.	If the Freshener kit was placed on a heater or in direct sunlight, then it might have become warped as a result thereof. <ul style="list-style-type: none"> <li>• Buy a new Freshener kit.</li> </ul>

**KOBOLD SP530  
HARD FLOOR CLEANER**

Fault	Possible cause and correction
The Kobold SP530 Hard floor cleaner is automatically switched off, the operation indicator "ON" is flashing green.	<p>It is possible that the motor is overstrained.</p> <ul style="list-style-type: none"> <li>• Switch off the Kobold VK150 Vacuum cleaner.</li> <li>• Switch on the Vacuum cleaner and close the secondary air flap of the Hard floor cleaner.</li> </ul>
The Hard floor cleaner is swivelling excessively.	<p>The Kobold MF520/530 Cleaning cloth is not fixed properly.</p> <ul style="list-style-type: none"> <li>• Check whether the Cleaning cloth is sufficiently and evenly fixed at the Cloth holder.</li> </ul> <p>The cloth holder is not inserted correctly.</p> <ul style="list-style-type: none"> <li>• Check whether the Cloth holder has been inserted and latched into the Hard floor cleaner correctly.</li> </ul> <p>It is possible that no original Cleaning cloths have been used.</p> <ul style="list-style-type: none"> <li>• Only use original Cleaning cloths.</li> </ul>
The joint connector of the Hard floor cleaner is blocked.	<ul style="list-style-type: none"> <li>• Remove the blockage with a suitable tool (e.g. screw driver, crochet hook).</li> </ul>
The suction channel of the Hard floor cleaner is blocked.	<ul style="list-style-type: none"> <li>• Remove the blockage.</li> <li>• Use a suitable tool (e.g. screw driver, crochet hook).</li> </ul>

**KOBOLD SP530  
HARD FLOOR CLEANER**

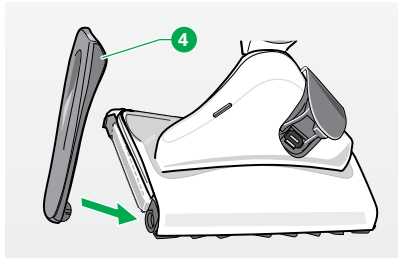


Fig. 5.4 Reinserting the side cover

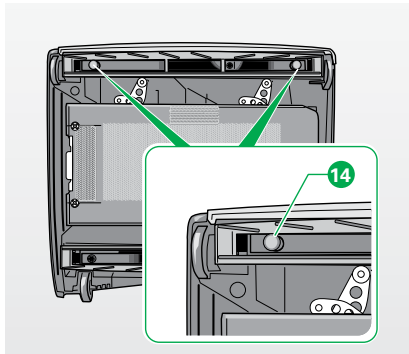


Fig. 5.5 Removing the supporting feet

Fault	Possible cause and correction
<p>The Hard floor cleaner has switched off by itself; the red operation indicator “STOP” is flashing while the Vacuum cleaner switches off at the same time.</p>	<p>Moisture has been sucked in.</p> <ul style="list-style-type: none"> <li>• Switch off the Vacuum cleaner.</li> <li>• After the device has dried completely, switch on the Vacuum cleaner and close the secondary air flap of the Hard floor cleaner.</li> <li>• It is possible that this step will need to be repeated several times.</li> </ul>
<p>The Hard floor cleaner is making noises.</p>	<p>It is possible that the device has not been closed correctly or that the cloth holder has not been mounted correctly.</p> <ul style="list-style-type: none"> <li>• Check if the side cover <b>4</b> is present and properly closed. If not, insert and close the side cover.</li> <li>• Check the seat and the catch mechanism of the cloth holder.</li> </ul>
<p>The vacuuming result of the Hard floor cleaner is insufficient.</p>	<p>It is possible that the Sealing lip frames are dirty and jammed.</p> <ul style="list-style-type: none"> <li>• Remove and clean the sealing lip frames.</li> </ul> <p>It is possible that the Kobold MF370 Cleaning cloth has been fixed in a diagonal position on the cloth holder and collides with the sealing lip frames.</p> <ul style="list-style-type: none"> <li>• Check whether the Cleaning cloth is evenly fixed in the cloth holder.</li> </ul>
<p>The secondary air flap does not close/does not remain closed.</p>	<p>It is possible that the holding magnet is dirty.</p> <ul style="list-style-type: none"> <li>• Clean the surface of the magnet.</li> </ul>
<p>The Hard floor cleaner causes streaks/marks on the floor.</p>	<p>It is possible that the supporting feet touch the floor.</p> <ul style="list-style-type: none"> <li>• In this case, remove the supporting feet <b>14</b>.</li> </ul>



**KOBOLD SP530  
HARD FLOOR CLEANER**

Fault	Possible cause and correction
<p>The cleaning performance of the Hard floor cleaner worsens.</p>	<p>It is possible that the Kobold MF370 Cleaning cloth is soiled excessively.</p> <ul style="list-style-type: none"> <li>• Replace the cloth.</li> </ul> <p>It is possible that the Cleaning cloth is too dry.</p> <ul style="list-style-type: none"> <li>• Replace the cloth.</li> </ul> <p>The Cleaning cloth is not evenly moistened.</p> <ul style="list-style-type: none"> <li>• When moistening the Cleaning cloth, ensure an equal distribution of the liquid.</li> </ul>
<p>The Hard floor cleaner cleans edges insufficiently.</p>	<p>It is possible that the Cleaning cloth has been moistened insufficiently.</p> <ul style="list-style-type: none"> <li>• Repeat the cleaning process with a new cloth.</li> <li>• When moistening the Cleaning cloth, ensure an equal distribution of the liquid.</li> </ul> <p>It is possible that the Cleaning cloth has not been fixed properly.</p> <ul style="list-style-type: none"> <li>• Check whether the Cleaning cloth is sufficiently and evenly fixed at the Cloth holder.</li> </ul>
<p>When the Kobold VK150 Vacuum cleaner is switched on, the red operation indicator “Stop” is blinking.</p>	<p>The secondary air flap was operated before the Vacuum cleaner was switched on.</p> <ul style="list-style-type: none"> <li>• Switch off the Vacuum cleaner and switch it back on again afterwards.</li> </ul>

**KOBOLD SP530  
HARD FLOOR CLEANER**

Fault	Possible cause and correction
<p>The system is streaking.</p>	<p>It is possible that the Cleaning agent has been overdosed.</p> <ul style="list-style-type: none"> <li>• Repeat the cleaning process with a new cloth and clear water.</li> </ul> <p>It is possible that there are residual quantities of old care products and cleaning agents on the floor.</p> <ul style="list-style-type: none"> <li>• Repeat the cleaning process until it improves; a basic cleaning might be required.</li> </ul> <p>It is possible that the Kobold MF520/530 Cleaning cloth is soiled excessively.</p> <ul style="list-style-type: none"> <li>• Replace the cloth.</li> </ul> <p>The moisture film does not dry evenly.</p> <ul style="list-style-type: none"> <li>• Remove residual liquid quantities with a dry cloth in a second cleaning step.</li> </ul>
<p>There are marks.</p>	<p>The grip of the cloth is not fixed properly.</p> <ul style="list-style-type: none"> <li>• Check the fixture of the grip of the cloth.</li> </ul>
<p>A dirt film remains on the floor.</p>	<p>It is possible that the Cleaning cloth is soiled excessively.</p> <ul style="list-style-type: none"> <li>• Replace the cloth.</li> </ul>
<p>The stain removal is insufficient.</p>	<p>It is possible that the Cleaning cloth is soiled excessively.</p> <ul style="list-style-type: none"> <li>• Replace the cloth.</li> </ul>
<p>The moisture film is uneven.</p>	<p>It is possible that the Cleaning cloth has been moistened insufficiently.</p> <ul style="list-style-type: none"> <li>• Repeat the cleaning process with a new cloth.</li> <li>• When moistening the Cleaning cloth, ensure an equal distribution of the liquid.</li> </ul>

### KOBOLD SP530 HARD FLOOR CLEANER

Fault	Possible cause and correction
The floor is getting too wet.	It is possible that the Kobold MF520/530 Cleaning cloth was moistened excessively. <ul style="list-style-type: none"> <li>• Please observe the dosing instructions.</li> <li>• If required, remove residual liquid quantities with a dry cloth in a second cleaning step.</li> </ul>
After cleaning, the floor looks tarnished.	It is possible that there are residual quantities of old, polished and shining care products and cleaning agents on the floor. <ul style="list-style-type: none"> <li>• Repeat the cleaning process, and change the cloth if required until it improves.</li> </ul>

### KOBOLD PB430 POLSTERBOY

Fault	Possible causes and rectification
The Polsterboy will not operate.	The Polsterboy was connected to the Kobold TR15 Telescopic tube or the suction hose without the power cord. <ul style="list-style-type: none"> <li>• Connect the Polsterboy to the Kobold ESS150 Electronic suction hose.</li> </ul> The Kobold VK150 Vacuum cleaner is not switched on. <ul style="list-style-type: none"> <li>• Switch on the device.</li> </ul>
The bristles of the Polsterboy are deformed or matted.	Fringes or fabrics were sucked in and pulled again. <ul style="list-style-type: none"> <li>• Exchange the Suction nozzle.</li> </ul>

**KOBOLD PB430  
POLSTERBOY**

Fault	Possible causes and rectification
The brushes of the Polsterboy no longer rotate.	<p>The Vacuum cleaner is not switched on.</p> <ul style="list-style-type: none"> <li>• Switch on the device.</li> </ul> <p>The Suction nozzle is not correctly inserted.</p> <ul style="list-style-type: none"> <li>• Make sure to engage the Suction nozzle properly.</li> </ul> <p>Something was sucked in that is blocking the brushes.</p> <ul style="list-style-type: none"> <li>• Switch the device off and unplug the mains power cord from the socket.</li> <li>• Remove the object.</li> <li>• Switch the device back on.</li> </ul>

**KOBOLD FD15 FLEXO NOZZLE**

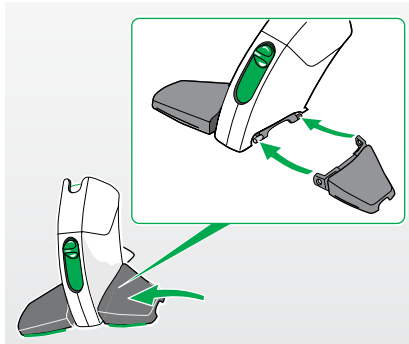


Fig. 5.6 Reattach the wings

Fault	Possible causes and rectification
The Flexo nozzle's wings are unhooked.	<ul style="list-style-type: none"> <li>• Reattach the wings.</li> </ul>



If the fault cannot be rectified, please contact Vorwerk's customer service department (see Section "8 Services" on page 91).

## 6 DISPOSAL AND ENVIRONMENTAL PROTECTION

### 6.1 Disposing of the device



As an owner of an electric and electronic device, it is not permitted by law (under EU Directive 2002/96/EC of 27 January 2003 on electric and electronic devices and the Electrics and Electronics Act of 16.3.2005) to dispose of this device or its electric/electronic accessories via unsorted domestic waste.

- Instead, use the free collection centres intended for this purpose.
- Contact your city or municipal administration for information.

### 6.2 Disposing of the packaging

The packaging is an important part of our product: it protects our devices from damage during transportation and reduces the risk of a device fault. For this reason, we cannot avoid using packaging. If you need to return or send in your device during the warranty period, or after, to the service or customer service department, the original packaging is the best protection against damages in transit.

If you nevertheless wish to dispose of the packaging, you can do this at any time and without limitation via your regional facilities (waste paper skip, yellow skip, recycling depot, waste paper collection etc.). To this end, Vorwerk commissions legally authorised licensees.

If you have any questions, please contact your corresponding service centre (see chapter “8 Services” on page 91).

### 6.3 Information on environmental protection

Preserving nature and protecting the environment: At Vorwerk, environmental protection is an important company objective.

#### LESS PACKAGING

We use only environmentally friendly material, which is recycled if disposed of correctly. We are actively involved in cutting back on waste packaging during the development stages and are committed to its disposal and recycling.

#### SAVING ENERGY

Vorwerk products protect the environment: They only use a small amount of energy with high suction performance.

#### ENVIRONMENTALLY FRIENDLY PRODUCTION

We attach a great deal of importance to environmental protection when manufacturing our products. We use recyclable plastics and colours. We deliberately avoid using polluting flame retardants.

For our filter bags we use solvent-free adhesives, unbleached paper or nonhazardous plastic. Our instruction manuals are made from sustainably managed forests and are bleached without chlorine.



**REUSABLE MATERIAL**

The material for our products can nearly be completely recycled. We largely avoid using PVC.

When manufacturing our products, we ensure “sorted” materials:

The substances used can later be separated accordingly at modern facilities without much energy expenditure. To make them even easier for recycling, we have labelled most of our plastic components.

## **7 WARRANTY**

Any warranty services can be found in the order note or purchase contract.

## **8 SERVICES**



Either in person with your customer representative  
or at the service centre




or [www.vorwerk-kobold.com](http://www.vorwerk-kobold.com)




## 9 TECHNICAL DETAILS


### KOBOLD VK150 VACUUM CLEANER

Kobold VK150 Vacuum cleaner				
Safety signs				
Housing	High-grade recyclable plastic			
Motor	Maintenance-free reluctance motor with ball bearings with electronic performance control at a nominal rotation speed of 60,000 rpm.			
Blower	Single-stage radial fan			
Voltage	220-240 volts alternating current 50/60 Hertz			
Nominal output	800 watts (max. 1200 watts nominal output with auxiliary equipment)			
Electrical power output without electronic accessory part or nozzle	Level A	1 <sup>st</sup> Level	2 <sup>nd</sup> Level	3 <sup>rd</sup> Level
	130 - 800 watts	130 watts	450 watts	800 watts
Radius of action	Min. 10 m according to IEC 60312-1			
max. underpressure	175 hPa			
max. air quantity	39,5 l/s			
max. suction performance	260 watts with a clean filter in accordance with IEC 60312-1			
max. degree of efficiency	32%			
Premium filter bag volume	2.5 l in accordance with IEC 60312-1			
Dust emission	Approx. 0.001 mg/m <sup>3</sup> in accordance with EN 60312			
Weight	Approx. 3 kg (without accessories)			
Dimensions	Height: approx. 14 cm; width: approx. 21 cm; length: approx. 72/109 cm			
Noise emission	81 dB(A) re 1pW sound power level with Kobold EB370 according to EN 60704-3			



**KOBOLD EB370  
ELECTRONIC BRUSH**

<b>Kobold EB370 Electronic brush</b>	
Safety signs	
Housing	High-grade recyclable plastic
Motor	Maintenance-free DC motor and maintenance-free belt drive
Voltage	220-240 volts alternating current 50/60 Hertz
Nominal output	100 watts (only for use in combination with Kobold vacuum cleaners)
Brushes	Exchangeable rotating brushes
Working width	300 mm
Rotational speed of the brushes	Approx. 6200 R/min
Soft function	800 R/min
Bristle height adjustment	Automatic
Rotational speed with Freshener kit	Approx. 1700 R/min
Weight	1.6 kg
Dimensions	Height: approx. 7 cm (with horizontal joint) Width: approx. 30 cm Length: approx. 33 cm (with horizontal joint)
Noise emission	81 dB(A) re 1pW sound power level with Kobold VK150 according to EN 60704-3

**KOBOLD SP530  
HARD FLOOR CLEANER**

<b>Kobold SP530 Hard Floor Cleaner</b>	
Safety signs	
Housing	High-quality, recyclable plastic
Gear unit	1 <sup>st</sup> Stage - spur / worm gear 2 <sup>nd</sup> Stage - maintenance-free toothed belt drive 1350 rpm.
Motor	Maintenance-free DC brush motor
Voltage	220 - 240 volts alternating current, 50/60 hertz
Nominal output	100 watts (only for use in combination with Kobold vacuum cleaners)
Weight	approx. 3 kg
Dimensions	Height: approx. 12 cm (with horizontal joint) Width: approx. 31 cm Length: approx. 36 cm (with horizontal joint)
Noise emission	87 dB(A) re 1pW sound power level with Kobold VK150 based on EN 60704-3 on smooth tiles

**KOBOLD PB430  
POLSTERBOY**

<b>Kobold PB430 Polsterboy</b>	
Safety signs	 
Housing	High-quality plastic with detachable suction nozzle made of shatter-proof polyamide
Motor	Maintenance-free DC motor with direct transmission
Brush mechanics	2 counter-rotating roller brushes with approx. 4000 rpm, stored maintenance-free
Voltage	220-240 volts alternating current 50/60 Hertz
Power output	50 watts
Weight	600 g
Dimensions	Height: approx. 11 cm Width: approx. 8 cm Length: approx. 25 cm
Noise emission	87 dB(A) re 1pW sound power level with Kobold VK150 based on EN 60704-3 on upholstery fabric

**KOBOLD VK150  
UPRIGHT VACUUM  
WITH  
KOBOLD EB370  
ELECTRIC BRUSH**

## 10 EU ENERGY LABEL CLASSIFICATION\*

Manufacturer/supplier	Vorwerk Elektrowerke GmbH & Co. KG, Wuppertal, Germany
Model	Kobold VK150 with Kobold EB370
Energy efficiency class	B
Indicative annual energy consumption	32.9 kWh/year based on 50 cleaning cycles. The actual annual energy consumption depends on how the device is used.
Cleaning performance (carpet)	B
Cleaning performance (hard flooring)	A
Dust re-emission class	A
Sound power level	81 dB(A) re 1 pW
Nominal power input	800 + 100 watts
Certification	as universal vacuum

**KOBOLD VK150  
UPRIGHT VACUUM  
IN COMBINATION WITH  
KOBOLD HD50  
HARD FLOOR NOZZLE**

Manufacturer/supplier	Vorwerk Elektrowerke GmbH & Co. KG, Wuppertal, Germany
Model	Kobold VK150 with Kobold HD50
Energy efficiency class	A
Indicative annual energy consumption	26.7 kWh/year based on 50 cleaning cycles. The actual annual energy consumption depends on how the device is used.
Cleaning performance (carpet)	supplied nozzle not suitable for use on carpets
Cleaning performance (hard flooring)	C
Dust re-emission class	A
Sound power level	84 dB(A) re 1 pW
Nominal power input	800 W
Certification	as vacuum for hard flooring

\* The applied measuring and calculation methods for the verification of the product data in the table shown here meet the requirements of European Parliament and Council Directive 2010/30/EU.  
Applicable standards: EN 60312-1; EN 60335-2-2; EN 60704-2-1; EN 60704-3

---

**kobold**

VK150 Vacuum cleaner



Choose quality.

**Vorwerk quality**

**Vorwerk UK Limited**

Thorp Building  
Whitmore Lane  
Sunningdale  
Berkshire  
SL5 0NS  
United Kingdom

