

---

kobold

# INSTRUCTION MANUAL

## KOBOLD VB100

### CORDLESS VACUUM CLEANER AND ACCESSORIES



VORWERK



---

## PRELIMINARY REMARKS

Congratulations on the purchase of your new Kobold VB100 Cordless Vacuum Cleaner. This light-weight and manoeuvrable cordless vacuum cleaner will help to keep your home clean for many years to come. The Kobold VB100 Cordless Vacuum Cleaner and its practical accessories will bring joy to cleaning your home.





## BEFORE YOU START

1. Read the instruction manual carefully before you use the Kobold VB100 Cordless Vacuum Cleaner and its accessories for the first time.
2. Retain this instruction manual for future reference. It is an important part of the cordless vacuum cleaner and must be kept with it if you pass it on to someone else.

## SIGNS AND SYMBOLS

The symbols in this instruction manual have the following meanings:

---

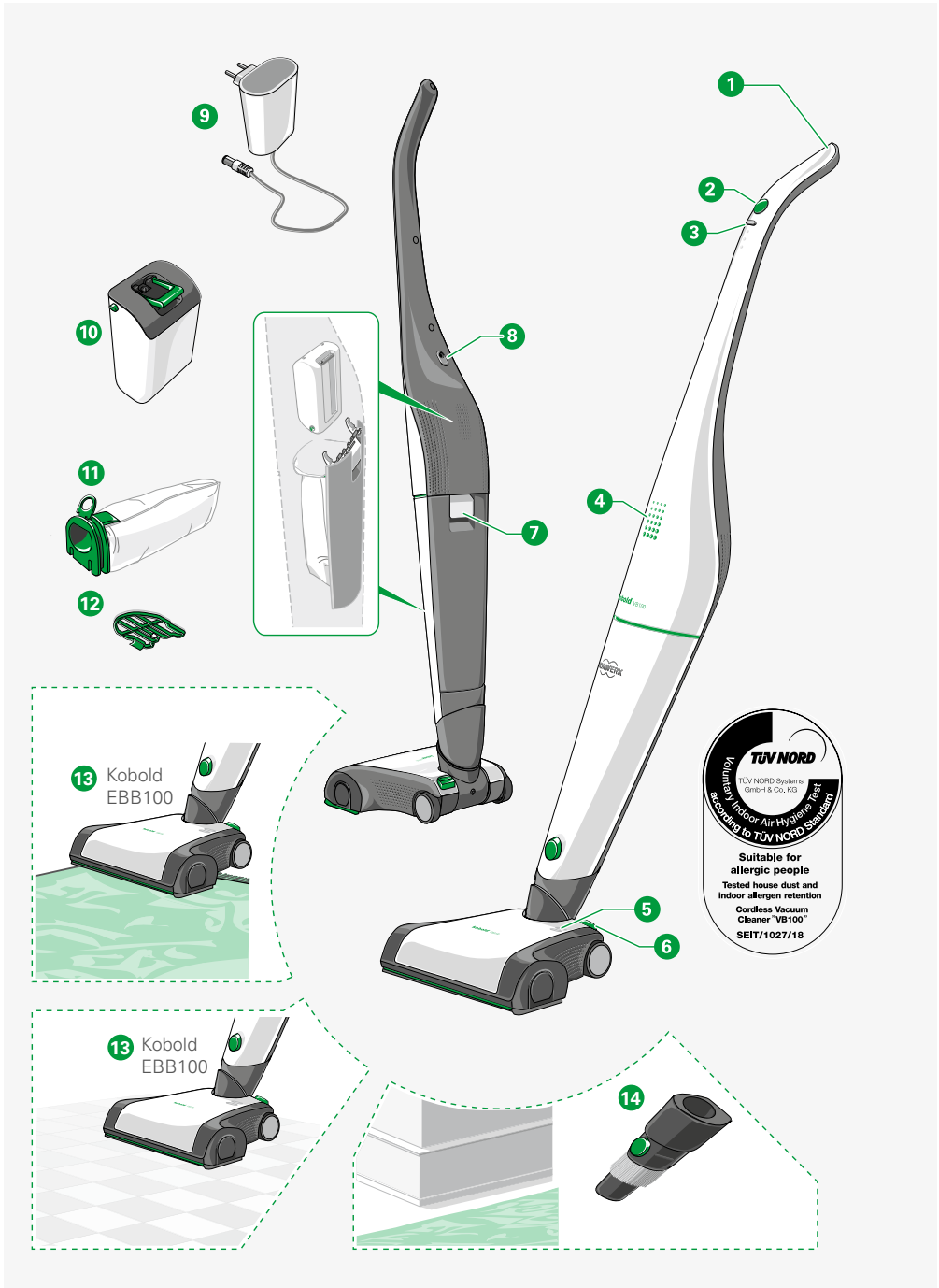
	Warning symbols and warning notices are marked with this symbol and highlighted in grey
	Reference to Vorwerk Customer Service/Support
	Information is marked with this symbol and highlighted in grey
	Reference to Vorwerk's website

---

1. 2. 3. Instructions are numbered
-

# PRODUCT OVERVIEW

## KOBOLD VB100 CORDLESS VACUUM CLEANER



## LEGEND

### KOBOLD VB100 CORDLESS VACUUM CLEANER

<b>1</b>	Kobold VB100 cordless vacuum cleaner
<b>2</b>	On/Off Button
<b>3</b>	Power setting (soft, medium, hard)
<b>4</b>	LED display- VB100
<b>5</b>	LED display- EBB100
<b>6</b>	Foot switch for brush mode
<b>7</b>	Filter cover lever
<b>8</b>	Charging point
<b>9</b>	AC charger
<b>10</b>	Battery pack
<b>11</b>	Kobold FP100 Premium Filter Bag
<b>12</b>	Motor protection filter
<b>13</b>	Kobold EBB100 electric brush for carpet and hardfloors
<b>14</b>	Kobold 2-in-1 nozzle

Nature and extent of the accessories included may vary. Accessories can be purchased as options. The illustrations shown in this instruction manual are meant to illustrate the functions of the Kobold VB100 Cordless Vacuum Cleaner and its accessories. The illustrations may differ with respect to detail and proportions of the actual product. The illustrations of plugs is only exemplary. The actual product can differ depending on the country.

# CONTENTS

<b>1</b>	<b>FOR YOUR SAFETY</b> .....	<b>8</b>
1.1	Intended use .....	8
1.2	Hazard warnings .....	9
1.3	Danger levels .....	15
<b>2</b>	<b>GETTING STARTED</b> .....	<b>16</b>
2.1	Attaching or changing the accessory head.....	16
2.2	Standby position and power setting .....	17
2.2.1	Setting the device into standby position ....	17
2.2.2	Setting the device into power setting.....	18
2.3	Charging the Kobold VB100 Cordless Vacuum Cleaner .....	19
2.3.1	LED display indicating battery charge level during operation .....	19
2.3.2	Charging.....	20
2.3.3	LED display indicating charging status ....	20
2.4	Premium filter bag, motor protection filter and battery pack ...	21
<b>3</b>	<b>OPERATION</b> .....	<b>22</b>
3.1	Switching the Kobold VB100 Cordless Vacuum Cleaner on and off .....	22
3.2	Setting the suction power level.....	22
3.3	Cleaning with the Kobold EBB100 Electric Brush .....	23
3.3.1	Brush modes of the Kobold EBB100 Electric Brush.....	24
3.3.2	Instructions for use .....	26
3.3.3	Switching between flex/fine .....	27
3.4	Cleaning with the Kobold 2-in-1 nozzle ....	28
3.5	Storing the Kobold VB100 Cordless Vacuum Cleaner .....	29
3.6	Moving the Kobold VB100 Cordless Vacuum Cleaner .....	29
<b>4</b>	<b>OPERATING MODES AND BATTERY OPERATING TIMES</b> .....	<b>30</b>
<b>5</b>	<b>MAINTENANCE</b> .....	<b>31</b>
5.1	Spare parts and consumables.....	32
5.2	Maintaining the Kobold VB100 Cordless Vacuum Cleaner .....	33
5.2.1	Replacing the Kobold FP100 Premium Filter Bag.....	33
5.2.2	Cleaning and/or replacing the motor protection filter on the Kobold VB100 Cordless Vacuum Cleaner .....	36
5.2.3	Replacing the battery pack on the Kobold VB100 Cordless Vacuum Cleaner ..	38
5.3	Maintaining the Kobold EBB100 Electric Brush.....	41
5.3.1	Checking and cleaning.....	41
5.3.2	Changing the roller brushes .....	42
<b>6</b>	<b>TROUBLESHOOTING</b> .....	<b>43</b>
6.1	Kobold VB100 Cordless Vacuum Cleaner ..	43
6.2	Kobold EBB100 Electric Brush .....	45
<b>7</b>	<b>DISPOSAL AND ENVIRONMENTAL PROTECTION</b> .....	<b>48</b>
7.1	Disposal of the device.....	48
7.2	Notes on disposal of the battery .....	48
7.3	Disposing of the packaging.....	49
7.4	Information on environmental protection.....	49
7.4.1	Less packaging .....	49
7.4.2	Saving energy.....	49
7.4.3	Environmentally friendly production .....	49
7.4.4	Recyclable material .....	49
<b>8</b>	<b>WARRANTY</b> .....	<b>50</b>
<b>9</b>	<b>SERVICE</b> .....	<b>50</b>
<b>10</b>	<b>TECHNICAL DATA</b> .....	<b>51</b>

## SUITABILITY OF THE ACCESSORY HEADS FOR FLOORS

<b>Carpet type</b>	<b>Kobold EBB100</b>
Loop-pile carpet	++
Velour carpet	
Berber carpet	+
Deep-pile carpeting,	
Light rugs	
Silk carpets	
Sisal flooring	
Fur	-
Flokati	
Loosely woven carpets	
Carpets with long interwoven fibres (Saxony)	
<b>Hard floor type</b>	
Sealed/varnished wooden floors (floorboards, parquet)	++
Oiled/waxed wooden floors	+
Unsealed/untreated wooden floors	-
Sealed cork floors	++
Oiled/waxed cork floors	+
Unsealed/untreated cork floors	-
Laminate	++
Elastic floors (PVC, cushion vinyl, linoleum)	+
Stone floors (marble, granite, Jura limestone, artificial stone)	+
Porous/delicate natural stone (slate, clinker tiles)	-
Clay floors (terracotta, clinker, brick clay tiles)	+
Ceramic glazed tiles and fine stoneware	++
Untreated tiled floors	-
Rough concrete flooring (washed concrete)	-
<b>Use</b>	<b>Kobold 2-in-1 nozzle</b>
Skirting boards, corners and above floor	++ <sup>1</sup>

++ excellent suitability

- not suitable

+ very good suitability

<sup>1</sup> Not suitable for smooth or polished surfaces

### Note!

Follow the detailed application instructions in the following chapters.

# 1 FOR YOUR SAFETY

Safety is an essential part of every Vorwerk product. However, the product safety of the Kobold VB100 Cordless Vacuum Cleaner and its accessories can only be ensured if this chapter is followed.

## 1.1 INTENDED USE

### **Note!**

These devices can be used by children aged 8 years and older as well as by people with reduced physical, sensory or mental capabilities or lack of experience and knowledge if they are supervised and have been given supervision or instruction concerning use of the respective device in a safe way and understand the hazards involved.

Children should not play with the appliance. Cleaning and user maintenance should not be carried out by children 8 years old or younger.

### **KOBOLD VB100 CORDLESS VACUUM CLEANER**

The cordless vacuum cleaner is solely intended for removing dirt and dust within domestic areas. This also includes use for typical household applications in shops, offices and similar work environments, agricultural operations, by customers in hotels, motels and similar living environments and in bed and breakfast operations. The cordless vacuum cleaner may only be used with the corresponding Kobold accessories.

- To find out which carpets, hard floors and above-floor areas the accessory heads are suitable for, please refer to the table on page 7.



## 1.2 HAZARD WARNINGS

### **Note!**

- Read the instruction manual carefully before you use the Kobold VB100 Cordless Vacuum Cleaner and its accessories for the first time.
- Please pay particular attention to the following information.
- Retain this instruction manual for future reference. It is an important part of the cordless vacuum cleaner and must be kept with it if you pass it on to someone else.

### **Risk of electric shock!**

- In the event of damage, contact the Vorwerk Customer Service Centre.
- Never attempt to repair the device yourself. Repairs to electrical appliances may only be carried out by a Vorwerk Customer Service Centre, a workshop authorised by Vorwerk or a person with similar qualifications using original replacement parts in order to avoid hazards.
- Stop using the AC charger if it is damaged.
- Do not insert any sharp objects into the electrical contacts or other openings (e.g. outlet grill, battery pack).
- Do not modify the electrical contacts.
- Never run your Kobold EBB100 Electric Brush over cables on the floor.
- Never clean the AC charger with water or damp cleaning agents.
- Do not use the AC charger in damp environments.
- Never immerse the AC charger in water or other liquids.
- Disconnect the AC charger from the power socket before cleaning.

**Explosion hazard!**

- Do not vacuum up explosive or readily inflammable substances.
- Never throw the battery pack or the Kobold VB100 Cordless Vacuum Cleaner into an open fire.
- Only use original Vorwerk battery packs.
- Never attempt to open or repair the battery pack. Defective battery packs must be replaced by new original Vorwerk VB100 battery packs.

**Fire hazard!**

- Stop using the Kobold VB100 Cordless Vacuum Cleaner, the battery pack and electrically powered accessory heads if they have been dropped on the floor and show visible signs of damage or appear to be faulty.
- Do not vacuum glowing ash or burning cigarette ends.
- The Kobold VB100 Cordless Vacuum Cleaner and all accessories (especially the battery pack) must never be placed in an open fire or exposed to an external heat source.
- Make sure that the power supply is not covered.
- Stop using the battery pack if it is damaged.
- Never clean the battery pack with water or damp cleaning agents.
- Never immerse the battery pack in water or other liquids.

- 
- The Kobold VB100 Cordless Vacuum Cleaner and its accessories are not compatible with Vorwerk mains-powered vacuum cleaner series or their accessories.
  - Do not short-circuit the battery pack under any circumstances.

### **Risk of injury due to negative pressure!**

- Do not vacuum any body parts or hair.  
Do not vacuum in the vicinity of children or pets.

### **Risk of injury from pinching your fingers!**

- Keep clear of the moving parts on the accessory heads.
- Always switch the device off before all retrofitting, cleaning and maintenance work.
- Disconnect the accessory head from the Kobold VB100 Cordless Vacuum Cleaner before performing retrofitting, cleaning or maintenance work on the accessory head.

### **Risk of injury and falling!**

- Always place the Kobold VB100 Cordless Vacuum Cleaner and the accessory head on a level surface when in the standby position.
- Never use the Kobold VB100 Cordless Vacuum Cleaner to support yourself.
- Never stand on the accessory heads.
- Switch the device off at the main switch before leaving it unattended.

### **Risk of injury due to battery leakage!**

- Leaking battery packs must not come into contact with the eyes and mucous membranes.
- Wash your hands and rinse your eyes with clean water.
- If irritation persists, seek medical attention.

**Risk of injury due to sharp fragments of plastic!**

- Do not use the device if plastic components have been damaged due to falling or impacts.  
Protect yourself against fragments with sharp edges.

**Note! Risk of damage from improper use!**

- Only use the specified original Vorwerk products.
- Use the Kobold VB100 Cordless Vacuum Cleaner only with original Kobold VB100 accessories.
- To charge the Kobold VB100 Cordless Vacuum Cleaner, only use the original AC charger supplied by Vorwerk in the scope of delivery.
- Only operate the AC charger on a connection that has been properly installed by a qualified electrician.
- Only operate the AC charger with the alternating current voltage and mains frequency stated on the type plate.
- Never carry the AC charger by the charging cable.
- Never remove the AC charger from the socket by pulling the charging cable.
- Do not operate the cordless vacuum cleaner if it is damaged or not fully assembled.
- The Kobold VB100 Cordless Vacuum Cleaner is only suitable for indoor use.
- Fully charge your Kobold VB100 Cordless Vacuum Cleaner at least once a year to prevent deep discharge, which can damage the battery.
- Do not leave the Kobold VB100 Cordless Vacuum Cleaner near a heat source (oven, heater or hot radiator).
- Use and charge the Kobold VB100 Cordless Vacuum Cleaner at temperatures between 5°C and 35°C.
- Store the Kobold VB100 Cordless Vacuum Cleaner at temperatures between 5°C and 35°C.

- 
- Do not expose the Kobold VB100 Cordless Vacuum Cleaner or the battery pack to fire, heat or direct sunlight.
  - The device may only be used with an original Kobold FP100 Premium Filter Bag inserted.
  - The motor protection filter must be installed to operate the device.
  - Do not vacuum liquids, damp dirt or damp floor mats or carpets.
  - If the filter area becomes damp, dry it before using it again. Replace the Kobold FP100 Premium Filter Bag and the motor protection filter of the Kobold VB100.
  - Never clean the Kobold VB100 Cordless Vacuum Cleaner or electrically powered accessory heads with water or damp cleaning agents.
  - Never immerse the device or AC charger in water or other liquids. Never pour water over the device or hold it under running water.
  - Do not use the battery-operated device in damp environments (in a wet bathroom or in outdoor areas, etc.) or in places where there is a risk that the device could come into contact with liquids.
  - Do not leave the Kobold VB100 Cordless Vacuum Cleaner running unattended and switch it off after every use.



- Never block the exhaust openings while vacuuming.
- Do not vacuum up Kobosan active or other powdered cleaning agents with the Kobold VB100 Cordless Vacuum Cleaner.
- Do not use the Kobold 2-in-1 nozzle attachment on smooth or polished surfaces.

The device complies with the safety regulations of the country in which it has been sold by an authorised Vorwerk organisation. If the device is used in another country, compliance with the local safety standards cannot be guaranteed. Vorwerk therefore assumes no liability for any resulting safety risks for the user.

## 1.3 DANGER LEVELS

1. For your safety, please observe the hazard warnings in the text of the chapters that follow.

The hazard warnings in the following chapters are identified by a warning symbol and/or a signal word indicating a danger level:

Danger level	Warning symbol	Signal word	Possible hazards
3		<b>WARNING</b>	<ul style="list-style-type: none"><li>– Risk of electric shock</li><li>– Fire hazard</li><li>– Explosion hazard</li></ul>
2		<b>CAUTION</b>	<ul style="list-style-type: none"><li>– Risk of injury</li></ul>
1		<b>NOTE</b>	<ul style="list-style-type: none"><li>– Risk of damage from improper use</li><li>– Risk of property damage from improper use</li></ul>

## 2 GETTING STARTED

In this chapter, you will learn how to set up your Kobold VB100 Cordless Vacuum Cleaner. You will get to know the basic functions of your cordless vacuum cleaner and how to use it properly.

Your cordless vacuum cleaner is supplied with the battery and premium filter bag already inserted. Before you can start, you must attach the Kobold EBB100 Electric Brush (see chapter “2.1 Attaching or changing the accessory head” on page 16) and fully charge the battery (see chapter “2.3 Charging the Kobold VB100 Cordless Vacuum Cleaner” on page 19).

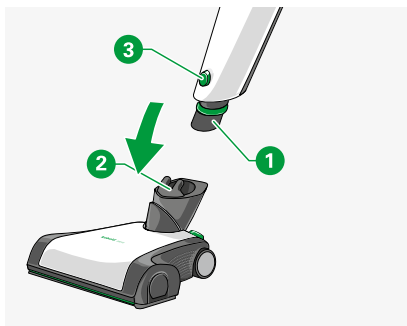
**i** When you first receive your cordless vacuum cleaner, the transport mode is activated. You will need to charge your device before you can switch it on for the first time (chapter “2.3 Charging the Kobold VB100 Cordless Vacuum Cleaner” on page 19).

### 2.1 ATTACHING OR CHANGING THE ACCESSORY HEAD

For cleaning floors, you use the Kobold VB100 Cordless Vacuum Cleaner in combination with the Kobold EBB100 Electric Brush.

1. Connect the attachment socket **1** of the cordless vacuum cleaner to the pivot on the electric brush **2**.
2. Make sure you hear the attachment socket click into the pivot.
3. To remove the electric brush from the cordless vacuum cleaner, press the button **3** located at the bottom of the suction piece.

*Once it is unlocked, you can remove the electric brush from the cordless vacuum cleaner.*





---

## 2.2 STANDBY POSITION AND POWER SETTING

### 2.2.1 SETTING THE DEVICE INTO STANDBY POSITION

#### CAUTION

##### **Risk of injury and falling!**

The standby position is used to park the device after you have finished working with it or when you take a break.

- Always place the Kobold VB100 Cordless Vacuum Cleaner and the accessory head on a level surface when in the standby position.
- Never use the Kobold VB100 Cordless Vacuum Cleaner to support yourself.
- Never stand on the accessory heads.

#### NOTICE

##### **Risk of damage when the device starts up automatically!**

- Please note that the Kobold EBB100 Electric Brush starts up automatically when you take the cordless vacuum cleaner out of standby position if you have not switched the cordless vacuum cleaner off at the main switch first.

The standby position is used for storing your cordless vacuum cleaner, when you are not using it or want to charge it. You can also 'park' it in this position if you want to take a short break while cleaning. In the standby position, the device stands upright and firmly on the floor.

You can only put the cordless vacuum cleaner into standby position when it is centred.

1. This is done by rotating the cordless vacuum cleaner at the pivot so that both the cordless vacuum cleaner and accessory head are facing straight ahead **1**.  
Now you can set it to standby position.
2. Move the handle forward **2** until it is upright and you hear it click into the pivot **3**.

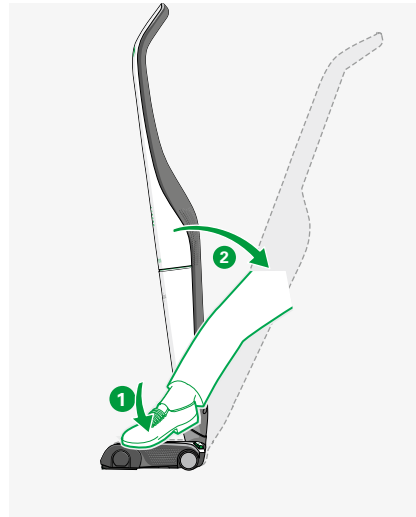
**i** If you put the cordless vacuum cleaner with the electric brush into standby position without having switched the cordless vacuum cleaner off at the main switch, the cordless vacuum cleaner will keep running and the electric brush will switch itself off.



### 2.2.2 SETTING THE DEVICE INTO POWER SETTING

In the power setting, the cordless vacuum cleaner can be moved freely and the device can be steered in all directions on the floor.

1. Hold the accessory head firmly in place with your foot **1** and tilt the handle back **2** so that you hear the cordless vacuum cleaner disengage from the standby position.  
*Now the accessory head can be moved in all directions again.*



## 2.3 CHARGING THE KOBOLD VB100 CORDLESS VACUUM CLEANER

### NOTICE

#### Risk of damage from improper use!

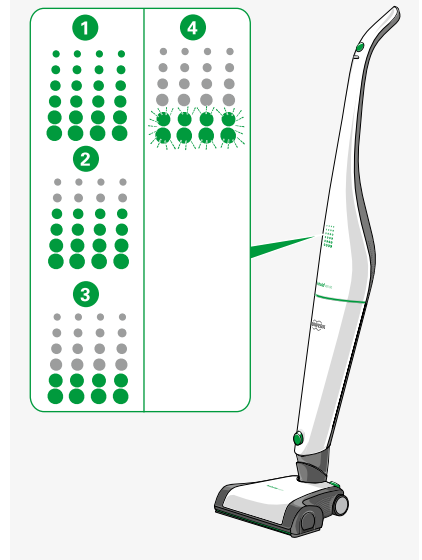
- Use and charge the Kobold VB100 Cordless Vacuum Cleaner at temperatures between 5°C and 35°C.
- Extreme heat or cold extends the charging time and/or can cause damage to the battery.
- Only charge the Kobold VB100 Cordless Vacuum Cleaner using the AC charger supplied.

**i** The Kobold VB100 Cordless Vacuum Cleaner is not fully charged on delivery. It must therefore be charged prior to initial use. This may take around three hours.

#### 2.3.1 LED DISPLAY INDICATING BATTERY CHARGE LEVEL DURING OPERATION

The LED display indicates the current battery level of your cordless vacuum cleaner. In order to see this display, your cordless vacuum cleaner must be switched on (see chapter “3.1 Switching the Kobold VB100 Cordless Vacuum Cleaner on and off” on page 22).

	LED display	Battery level
1	All LED rows lit.	The battery is fully charged.
2	4 LED rows lit.	The battery is approximately 2/3 charged.
3	2 LED rows lit.	The battery is approximately 1/3 charged.
4	2 LED rows flash.	Battery level is low. Please charge the battery.

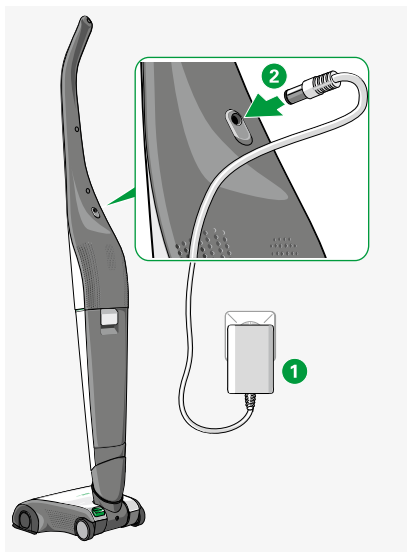


### 2.3.2 CHARGING

To charge your cordless vacuum cleaner, proceed as follows:

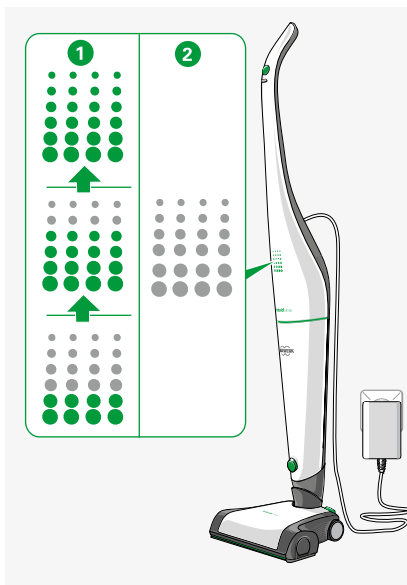
1. Put the cordless vacuum cleaner into the standby position (see chapter “2.2 Standby position and power setting” on page 17).
2. Connect the AC charger **1** to the power supply.
3. Note the prescribed voltage of 220-240 V.
4. Connect the AC charger to the charging point on the cordless vacuum cleaner **2**.
5. Ensure that the plug is fully inserted.

**i** You can also charge the battery pack separately. For more information on this, see chapter “Charging the removed battery pack” on page 39.



### 2.3.3 LED DISPLAY INDICATING CHARGING STATUS

LED display	Battery level
<b>1</b> LEDs rise.	Battery pack is charging. The battery is currently charging and is not completely charged at the present time.  The charging period may take up to three hours.
<b>2</b> All LEDs have gone out.	The battery pack is fully charged.  The battery pack is charged and the cordless vacuum cleaner is fully ready for operation.



## 2.4 PREMIUM FILTER BAG, MOTOR PROTECTION FILTER AND BATTERY PACK

Your cordless vacuum cleaner is supplied with the premium filter bag, motor protection filter and battery pack already inserted.

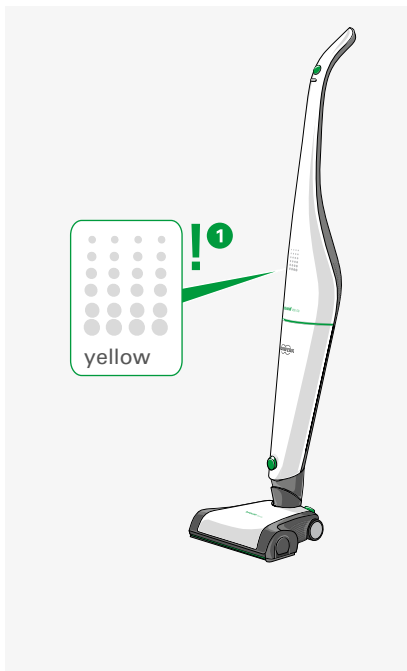
**i** If the LED display **1** lights up yellow when the cordless vacuum cleaner is on, check whether the premium filter bag is full or whether the suction channels are blocked.

See chapter “5 Maintenance” on page 31 to find out how to change the premium filter bag (chapter 5.2.1 on page 33), how to replace or clean the motor protection filter (chapter 5.2.2 on page 36) and how to change the battery pack (chapter “5.2.3 Replacing the battery pack on the Kobold VB100 Cordless Vacuum Cleaner” on page 38).

### NOTICE

#### Risk of damage due to closing the filter cover by force!

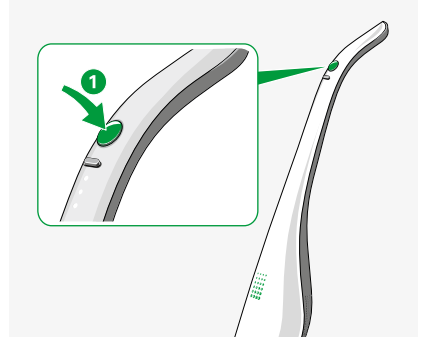
- Do not use force to close the filter cover.
- The device may only be used with an original Kobold FP100 Premium Filter Bag inserted.
- Never use force when inserting the battery pack.



## 3 OPERATION

### 3.1 SWITCHING THE KOBOLD VB100 CORDLESS VACUUM CLEANER ON AND OFF

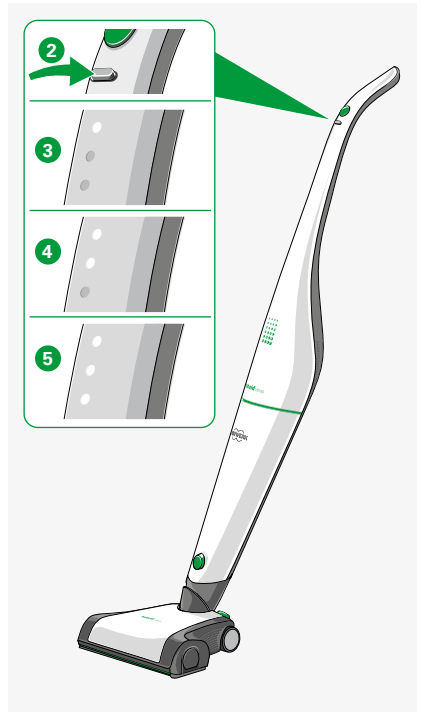
1. Switch on the Kobold VB100 Cordless Vacuum Cleaner by pressing the main switch ①.
2. To switch it off, press the main switch again.



### 3.2 SETTING THE SUCTION POWER LEVEL

The suction power level can be manually set using the silver switch ② as follows:

LED display on handle	Suction power level
③ One white LED is lit on the handle.	soft, minimum suction power
④ Two white LEDs are lit on the handle.	med, medium suction power
⑤ Three white LEDs are lit on the handle.	max, maximum suction power



**i** Every time you switch on your cordless vacuum cleaner, it will automatically start operating on the 'med' suction power setting, with the electric brush in normal mode (see chapter "3.3 Cleaning with the Kobold EBB100 Electric Brush" on page 23).

### 3.3 CLEANING WITH THE KOBOLD EBB100 ELECTRIC BRUSH

The electric brush performs equally well on carpets and hard floors.

The electric brush with its versatile functionality can be used on most floors. Nevertheless, please make sure that it is suitable for your floor before using it (see table on page 7).

#### **⚠ WARNING**

##### **Risk of electric shock!**

- Never run your Kobold EBB100 Electric Brush over cables on the floor.

#### **⚠ CAUTION**

##### **Risk of injury from debris flying out!**

- Avoid abruptly placing the device on loose, coarse debris (e.g. glass shards), especially at eye level.
- Switch off the Kobold VB100 Cordless Vacuum Cleaner before lifting up the Kobold EBB100 Electric Brush.

#### **⚠ CAUTION**

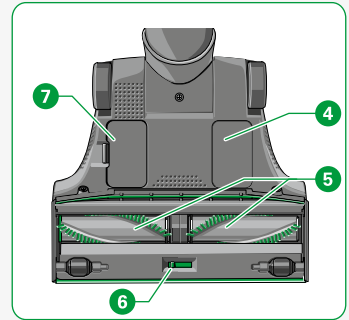
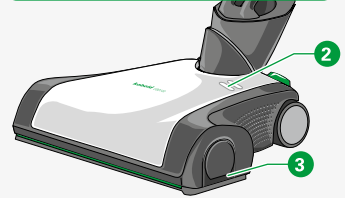
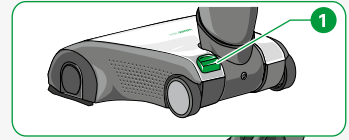
##### **Risk of injury from pinching your fingers!**

- Stay clear of the moving parts on the Kobold EBB100 Electric Brush.

#### **NOTICE**

##### **Risk of damage from improper use!**

- Avoid working with the device in one specific spot for a prolonged period of time.
- Avoid vacuuming up rugs/fringes.



#### **Legend**

- |   |                               |
|---|-------------------------------|
| 1 | Foot switch for brush mode    |
| 2 | LED display                   |
| 3 | Side caps (left and right)    |
| 4 | Type plate                    |
| 5 | Roller brushes                |
| 6 | Switch for flex/fine settings |
| 7 | Inspection flap               |

### 3.3.1 BRUSH MODES OF THE KOBOLD EBB100 ELECTRIC BRUSH

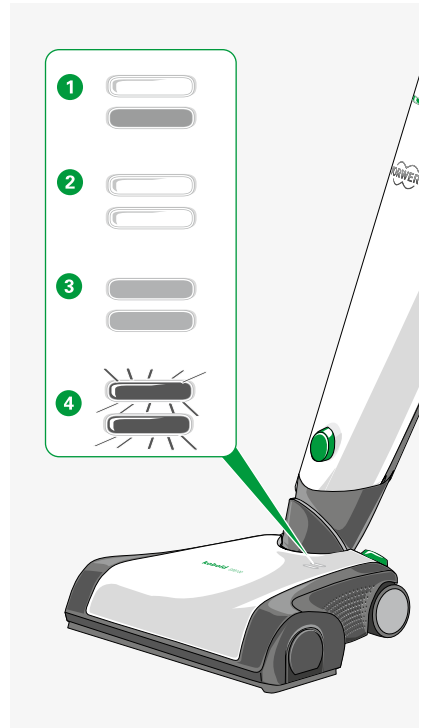
There are three operating modes for cleaning floors with the Kobold EBB100 Electric Brush. The selected operating mode is shown on the electric brush:

	<b>Brush mode</b>	<b>LED display</b>
<b>1</b>	<b>Normal mode</b> The brushes rotate at normal speed. This is the start-up mode. Particularly suitable for hard floors or for gentle brush-suction.	One white LED is lit.
<b>2</b>	<b>Turbo mode</b> The brushes rotate at a higher speed. Particularly suitable for carpets or very dirty areas.	Two white LEDs are lit.
<b>3</b>	<b>Brushes deactivated</b> The brushes do not rotate. Suitable for particularly thick or deep-pile carpets.	LEDs have gone out.
<b>4</b>	<b>Fault: the brushes are blocked.</b>	Both LEDs flash red.

For more information, see chapter "6 Troubleshooting" on page 43.

**i** We recommend normal mode for hard floors.

**i** We recommend turbo mode for a particularly thorough clean and for vacuuming pet hair.



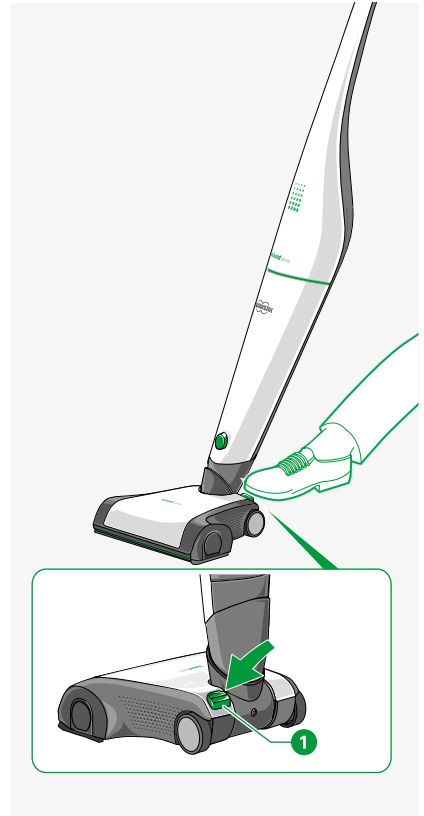


## SETTING THE BRUSH MODE

The Kobold EBB100 Electric Brush starts up in normal mode. You can set the operating mode using the foot switch **1** on the electric brush.

1. Select the correct suction power level for your floor according to the table on page 26.
2. Press and release the foot switch **1** to change the brush mode.  
*The LEDs on the electric brush show which brush mode you are in.*
3. Press and hold the foot switch **1** for approximately 2 seconds to deactivate the brush.  
*The LEDs on the electric brush go out.*
4. Press the foot switch **1** again to reactivate the brush.

**i** To find out more about the 'Deactivate brush' mode, see chapter "6 Troubleshooting" on page 43.

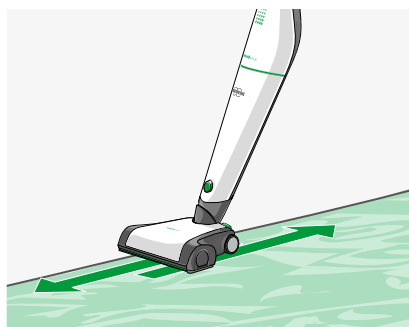
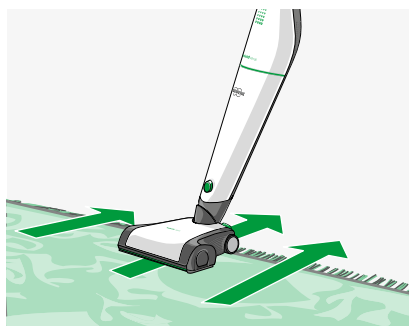


## BRUSH MODE RECOMMENDATIONS

Kobold VB100 suction power level	Normal brush mode	Turbo brush mode
<b>soft</b>	delicate floors	for providing a surface clean on thicker carpets
<b>med</b>	slightly dirty, delicate floors or very thick carpets	all floors according to the table on page 7
<b>max</b>	extremely dirty, delicate floors	extremely dirty floors and carpets (e.g. because of pet hair)

## 3.3.2 INSTRUCTIONS FOR USE

1. Only use the 'max' suction power level for extremely dirty floors and carpets.
2. Always move the device evenly back and forth.
3. Never let the device work in one place for a longer period as this could cause damage to the floor.
4. The rotating roller brushes can mechanically work on the fringes of the carpet and clean in the narrow gaps. Only pull the electric brush over the fringes backwards, away from the carpet.
5. Vacuum parallel to the edges of the carpet.



### 3.3.3 SWITCHING BETWEEN FLEX/FINE

The 'flex' and 'fine' setting options on the underside of the Kobold EBB100 Electric Brush can be used to adjust the device in line with the cleaning requirements.

**i** We generally recommend the 'flex' setting for normal everyday vacuuming. We recommend the 'fine' setting for a particularly intensive clean (e.g. for vacuuming fine dust from crevices or carpets).

Flex setting	Your electric brush is pre-set to the 'flex' setting for everyday vacuuming.
Fine setting	You can adjust the electric brush specifically for vacuuming fine dirt from joints and cracks. On the 'fine' setting, you will achieve maximum dust collection, e.g. from a wooden floor with lots of joints or from a carpet.

#### **⚠ CAUTION**

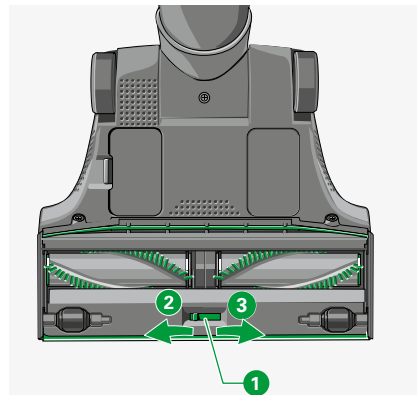
##### **Risk of injury due to the rotating brush!**

- Always disconnect the Kobold EBB100 Electric Brush from the Kobold VB100 Cordless Vacuum Cleaner before changing the setting on the underside of the Kobold EBB100 Electric Brush.

You can change between the settings as follows:

1. Switch the cordless vacuum cleaner off at the main switch.
2. Push the slider **1** on the underside of the electric brush to position **2** (fine) for removing fine dust from crevices or for deep-cleaning carpets, or to position **3** (flex) for picking up coarse material.

*You will feel the slider locking into place and the front sealing lip extends outwards.*



## 3.4 CLEANING WITH THE KOBOLD 2-IN-1 NOZZLE

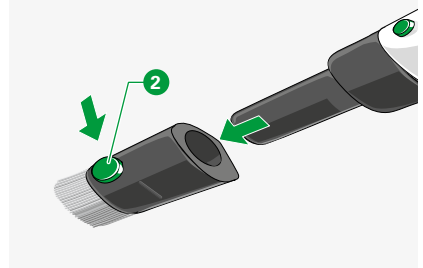
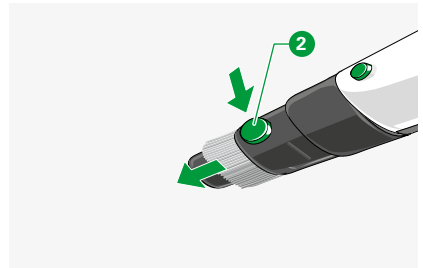
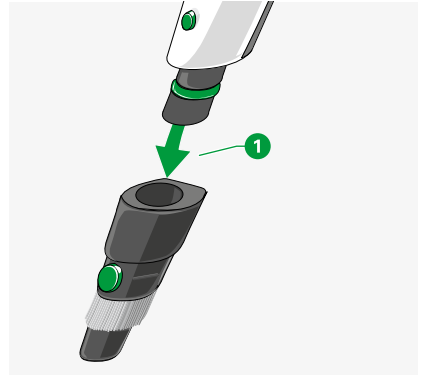
The Kobold 2-in-1 nozzle is extremely versatile. It has two bristle settings that can be used for different tasks.

### NOTICE

#### Risk of damage from improper use!

- Do not use the Kobold 2-in-1 nozzle attachment on smooth or polished surfaces.

1. Place the attachment socket **1** of the Kobold 2-in-1 nozzle onto the Kobold VB100 Cordless Vacuum Cleaner.
2. For fine dust or delicate objects, increase the length of the bristles. This is done by pressing the green button **2** and sliding the brush attachment outwards until the green button engages.
3. For ground-in dirt, remove the brush attachment. This is done by holding down the green button **2** and pulling off the brush attachment.
4. To remove the Kobold 2-in-1 nozzle, press the button on the suction piece of the Kobold VB100 Cordless Vacuum Cleaner and pull the whole nozzle forwards.



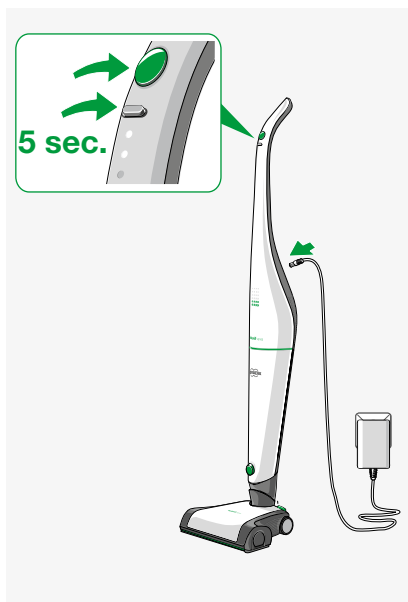
### 3.5 STORING THE KOBOLD VB100 CORDLESS VACUUM CLEANER

1. When you are not using your cordless vacuum cleaner, switch it off and store it carefully.
2. If you are going to store your cordless vacuum cleaner for a long period without using it, you should remove the battery pack from the device (chapter “Removing the battery pack” on page 38).
3. Unused battery packs should be charged fully at least once a year.

### 3.6 MOVING THE KOBOLD VB100 CORDLESS VACUUM CLEANER

The Kobold VB100 Cordless Vacuum Cleaner has a transport mode so that it can be moved safely without accidentally being switched on.

1. Connect the cordless vacuum cleaner to the power supply, as described in chapter “2.3 Charging the Kobold VB100 Cordless Vacuum Cleaner” on page 19.
2. Press both buttons on the handle simultaneously for at least 5 seconds.  
*Two rows of LEDs flash to confirm that the transport mode is on.*
3. You can deactivate the transport mode by connecting the cordless vacuum cleaner to the power supply again, as described in chapter “2.3 Charging the Kobold VB100 Cordless Vacuum Cleaner” on page 19.



## 4 OPERATING MODES AND BATTERY OPERATING TIMES

The operating time of your cordless vacuum cleaner varies depending on the suction power level and the brush mode you use.

<b>Brush mode of the Kobold EBB100 Electric Brush</b>	<b>Suction power level 'soft'</b>	<b>Suction power level 'med'</b>	<b>Suction power level 'max'</b>
<b>Turbo</b>	approx. 40 minutes	approx. 25 minutes	approx. 11 minutes
<b>Normal</b>	approx. 52 minutes	approx. 30 minutes	approx. 12 minutes
<b>Kobold EBB100 Electric Brush deactivated</b> or <b>Kobold 2-in-1 nozzle for above-floor use</b>	approx. 80 minutes	approx. 41 minutes	approx. 13 minutes

**i** The stated operating times are average operating times. They have been determined using a battery pack in new condition and at room temperature. The actual operating times may vary.

The operating times given are approximate values that depend on the type of use and the ambient conditions. Low and high temperatures can, for example, shorten the operating time of the battery.

## 5 MAINTENANCE

It is important to carry out regular maintenance on your Kobold VB100 Cordless Vacuum Cleaner to ensure that it always runs smoothly. In the following chapter you will learn how to maintain the different devices and accessory parts and how to replace parts.

<b>Device/ accessories</b>	<b>Step</b>	<b>Time/frequency</b>
Kobold VB100 Cordless Vacuum Cleaner	Replacing the Kobold FP100 Premium Filter Bag	If the LED display lights up yellow when the cordless vacuum cleaner is on or if the cordless vacuum cleaner loses suction
	Cleaning the motor protection filter	If dirty
	Changing the motor protection filter	If very dirty
	Changing the battery pack	If required
	Fully charging the battery pack	At least once a year
Kobold EBB100 Electric Brush	Checking and cleaning	Once a month or if there is a heavy build-up of fibres on the brushes
	Replacing brushes	When worn out or in case of poor handling of fibres
Additional accessories	Cleaning	If dirty

## 5.1 SPARE PARTS AND CONSUMABLES

You have purchased a quality product from Vorwerk. To keep you as satisfied in the future with your Vorwerk device as you were the first day, we recommend you take advantage of our reorder options for original care products and original consumables in good time. Reordering is quick and easy:



From our Mail Order Hotline  
(see chapter "9 Service" on page 50).



At our online shop at [www.vorwerk.co.uk](http://www.vorwerk.co.uk)





## 5.2 MAINTAINING THE KOBOLD VB100 CORDLESS VACUUM CLEANER

### **WARNING**

#### **Risk of electric shock!**


- Always switch the device off before all retrofitting, cleaning and maintenance work.
- If connected, disconnect the Kobold VB100 Cordless Vacuum Cleaner from the AC charger before performing retrofitting, cleaning or maintenance work on the device.

### **CAUTION**

#### **Risk of injury from pinching your fingers!**

- Keep clear of movable elements of the accessory heads.
- Always switch the device off before all retrofitting, cleaning and maintenance work.
- Disconnect the accessory head from the Kobold VB100 Cordless Vacuum Cleaner before performing retrofitting, cleaning or maintenance work on the accessory head.

### 5.2.1 REPLACING THE KOBOLD FP100 PREMIUM FILTER BAG

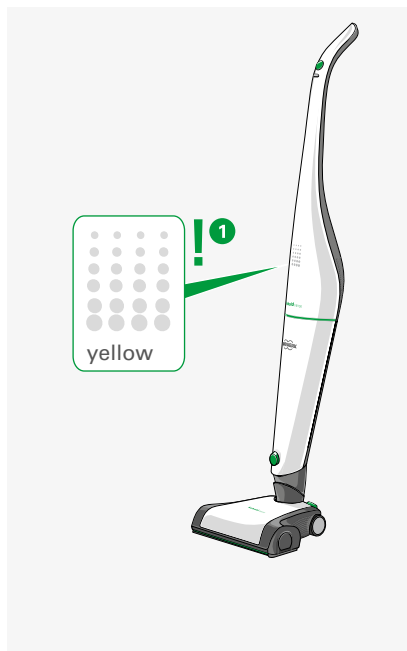
If the LED display lights up yellow  when the cordless vacuum cleaner is switched on, you need to change the premium filter bag. This chapter tells you how.

### **NOTICE**

#### **Risk of damage from improper use!**

Dampness in the filter area can damage the device.

- Should the filter area be damp, make sure you dry it before using the device again.
- Replace the Kobold FP100 Premium Filter Bag and the motor protection filter of the Kobold VB100.

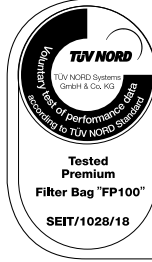




You can order Kobold FP100 Premium Filter Bags from our Mail Order Hotline (see chapter "9 Service" on page 50).



You can also order Kobold FP100 Premium Filter Bags by visiting our online shop at [www.vorwerk.co.uk](http://www.vorwerk.co.uk)



The following performance data have been verified by TÜV NORD:

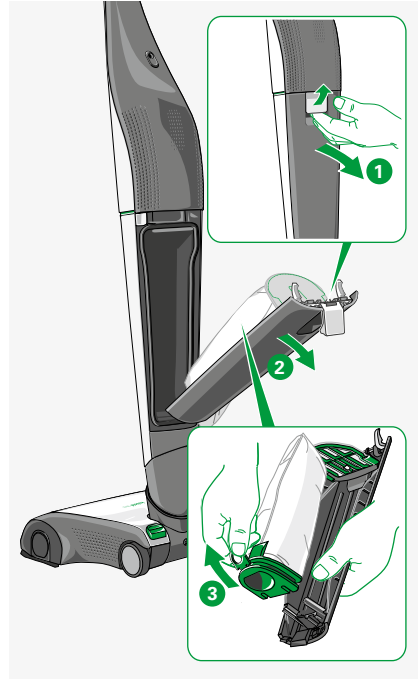
- Dust capacity
- Fine dust reduction
- Bacteria and mould retention
- Hygienic filter bag replacement
- Hygienic filter bag disposal

### OPENING THE FILTER COVER

1. Actuate the lever **1** to open the filter cover **2**.

### REMOVING THE FULL FP100 PREMIUM FILTER BAG

1. Remove the premium filter bag **3** by pulling it out of its holder by the tab, and dispose of it in household waste.



## INSERTING A NEW KOBOLD FP100 PREMIUM FILTER BAG

### NOTICE

#### Risk of damage from improper use!

- Avoid using force when inserting the Kobold FP100 Premium Filter Bag.

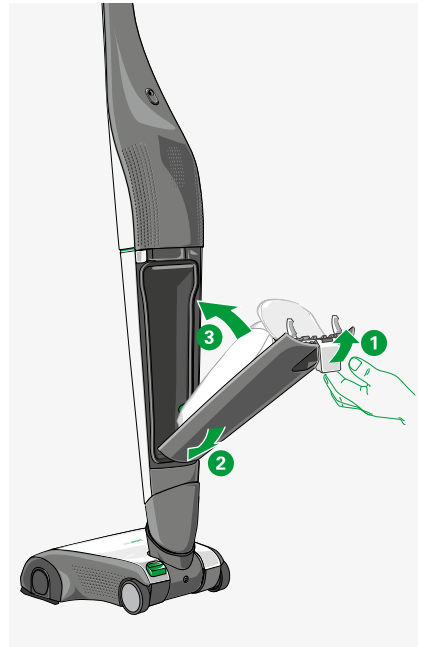
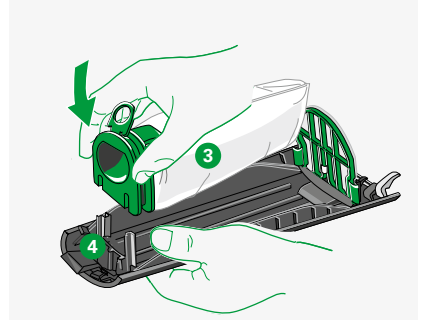
1. Insert a new premium filter bag **3** into the filter cover **4** of your Kobold VB100 Cordless Vacuum Cleaner.
2. Ensure that the premium filter bag has been inserted into the filter cover up to the limit stop.

### CLOSING THE FILTER COVER

**i** The filter cover will not close if the premium filter bag has not been inserted or is not inserted properly.

1. Pull the lever **1** on the filter cover upwards until it locks into place.
2. Position the lower edge of the filter cover onto the cordless vacuum cleaner **2**.
3. Press the filter cover shut **3** and press down the lever in order to ensure that the filter cover is fully and correctly closed.
4. When replacing the filter cover, make sure that the filter bag does not get caught between the cover and the seal.
5. Do not use force if it is difficult to close the filter cover.

Ensure that the premium filter bag has been inserted correctly and that the lever on the filter cover has been opened out.



## 5.2.2 CLEANING AND/OR REPLACING THE MOTOR PROTECTION FILTER ON THE KOBOLD VB100 CORDLESS VACUUM CLEANER

The motor protection filter serves to protect your cordless vacuum cleaner from contaminants.

To ensure the long service life of your cordless vacuum cleaner, it is important to carry out visual checks and regular maintenance on the motor protection filter.

The motor protection filter can be cleaned as many times as necessary. It must only be replaced if the premium filter bag has been damaged or if the motor protection filter is extremely dirty or gummed up.

### NOTICE

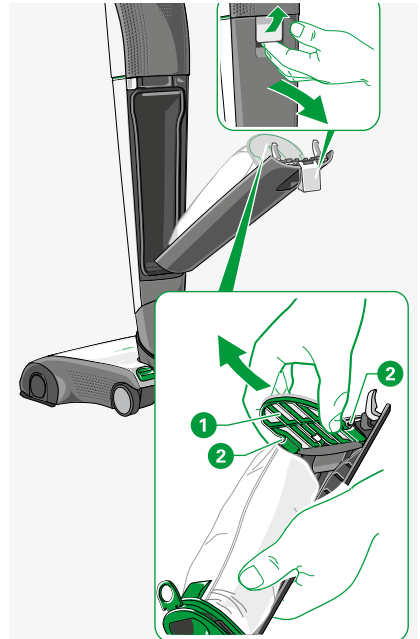
#### Risk of damage from improper use!

- Use the Kobold VB100 Cordless Vacuum Cleaner only with the motor protection filter inserted.

### REMOVING AND INSERTING THE MOTOR PROTECTION FILTER

The motor protection filter **1** is held in place by two guide slots **2** on the filter cover.

1. Hold both sides of the motor protection filter **1** and carefully lift it upwards and *out of its guide slots*.
2. *To put it back in, slide the new or cleaned motor protection filter back into the guide slots. The green plastic grid should be pointing towards the premium filter bag.*



---

## CLEANING THE MOTOR PROTECTION FILTER

### NOTICE

#### **Risk of damage from improper use!**

- Do not clean the motor protection filter of the Kobold VB100 with water or other liquid cleaning agents.

1. Clean the motor protection filter on both sides by carefully tapping or vacuuming it.

## REPLACING THE MOTOR PROTECTION FILTER

1. If the motor protection filter has been damaged or is extremely dirty, insert a new one.



You can order motor protection filters from our Mail Order Hotline (see chapter "9 Service" on page 50).



You can also order motor protection filters by visiting our online shop at [www.vorwerk.co.uk](http://www.vorwerk.co.uk)

### 5.2.3 REPLACING THE BATTERY PACK ON THE KOBOLD VB100 CORDLESS VACUUM CLEANER

The integrated lithium-ion batteries contain substances that could endanger the environment.

#### CAUTION

##### **Risk of injury due to battery leakage!**

Leaking battery packs must not come into contact with the eyes and mucous membranes.

- Wash your hands and rinse your eyes with clean water. If irritation persists, seek medical attention.

#### NOTICE

##### **Risk of damage from improper use!**

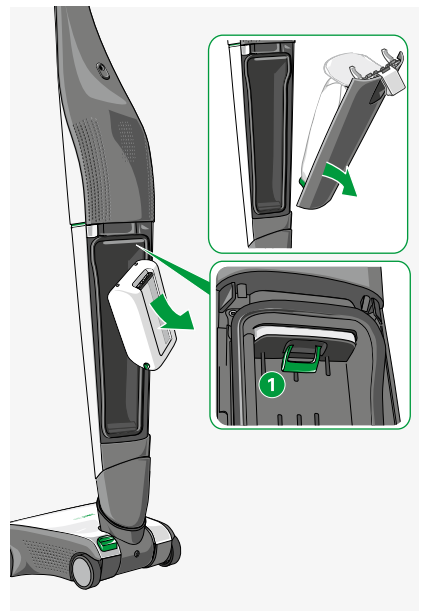
- Ensure that the battery pack cannot come into contact with strong magnets or metal under any circumstances.

1. Note the disposal instructions in chapter “7 Disposal and environmental protection” on page 48.

#### REMOVING THE BATTERY PACK

To remove the battery pack, proceed as follows:

1. Switch the Kobold VB100 Cordless Vacuum Cleaner off at the main switch.
2. Disconnect the cordless vacuum cleaner from the AC charger.
3. Open the filter cover as described in chapter “Opening the filter cover” on page 34.
4. Reach inside the cordless vacuum cleaner, take hold of the battery pack by the green strap **1** and pull downwards to remove it.



## CHARGING THE REMOVED BATTERY PACK

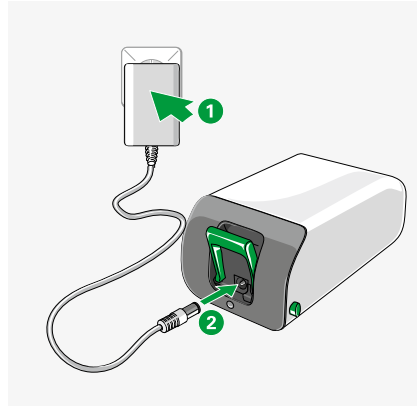
You can also charge the battery pack separately. This is recommended when using an additional battery pack, for example.

To charge your battery pack, proceed as follows:

### NOTICE

#### Risk of damage from improper use!

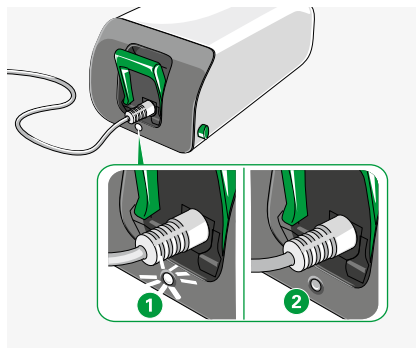
- Charge and use the battery pack at temperatures between 5°C and 35°C.
- Store the battery pack at temperatures between 5°C and 35°C.
- Extreme heat or cold extends the charging time and/or can cause damage to the battery packs.
- Only charge the battery pack using the AC charger supplied.



1. Connect the AC charger **1** to the power supply.
2. Note the prescribed voltage of 220-240 V.
3. Connect the AC charger to the charging point on the battery pack **2**.
4. Ensure that the plug is fully inserted.

**i** The battery pack gets slightly warm while charging.

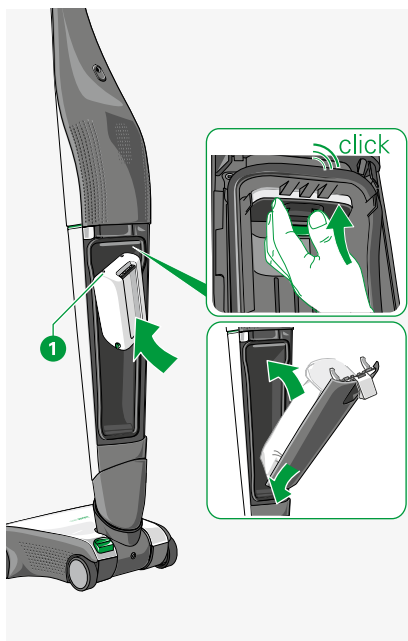
LED display	Battery level
<b>1</b> LED flashes.	Battery pack is charging. The charging period may take up to three hours.
<b>2</b> LED has gone out.	The battery pack is fully charged and ready for operation.



## INSERTING THE BATTERY

To insert the battery, proceed as follows:

1. Disconnect the cordless vacuum cleaner from the AC charger.
2. Open the filter cover as described in chapter “Opening the filter cover” on page 34.
3. Push the battery pack from underneath into the open cordless vacuum cleaner until you hear it engage. When doing so, ensure that the battery pack is the right way up. The metal connections **1** should point upwards and the green handle downwards.
4. Never use force when inserting the battery.
5. Put the filter cover back on (with the motor protection filter and premium filter bag installed) and ensure that it is properly closed.



**i** Every battery has a limited life, as it will slowly but steadily lose its capacity to hold a charge. The cleaning times per battery charge can therefore decrease over time with frequent use.



## 5.3 MAINTAINING THE KOBOLD EBB100 ELECTRIC BRUSH

### WARNING

#### Risk of electric shock!

- Always switch the device off before all retrofitting, cleaning and maintenance work and disconnect the Kobold EBB100 Electric Brush from the Kobold VB100 Cordless Vacuum Cleaner.

### CAUTION

#### Risk of injury from pinching your fingers!


- Keep clear of movable elements of the accessory heads.
- Always switch the device off before all retrofitting, cleaning and maintenance work.
- Disconnect the Kobold EBB100 Electric Brush from the Kobold VB100 Cordless Vacuum Cleaner before performing retrofitting, cleaning or maintenance work on the Kobold EBB100 Electric Brush.

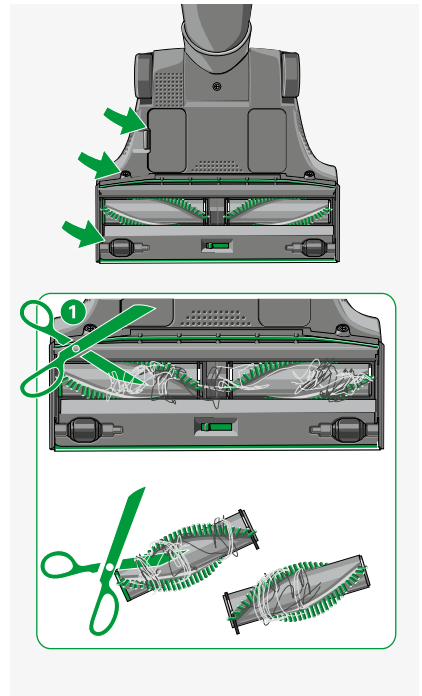
### 5.3.1 CHECKING AND CLEANING

#### UNDERSIDE

1. Check the underside every once in a while to prevent damage to the device and floor.
2. Perform visual inspections from time to time in order to detect defects or very dirty areas.
3. Remove any dirt. Remove any hair or fibres that are coiled around the small rollers at the front and check that the rollers rotate freely.

#### ROLLER BRUSHES

1. If threads are coiled around the roller brushes, these can simply be cut with a pair of scissors  and removed.
2. If a substantial amount of material is coiled around the brushes, remove the brushes (see chapter “5.3.2 Changing the roller brushes” on page 42) before clearing away the threads.



### 5.3.2 CHANGING THE ROLLER BRUSHES

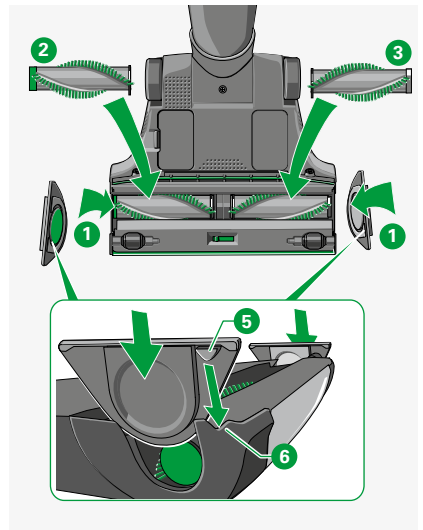
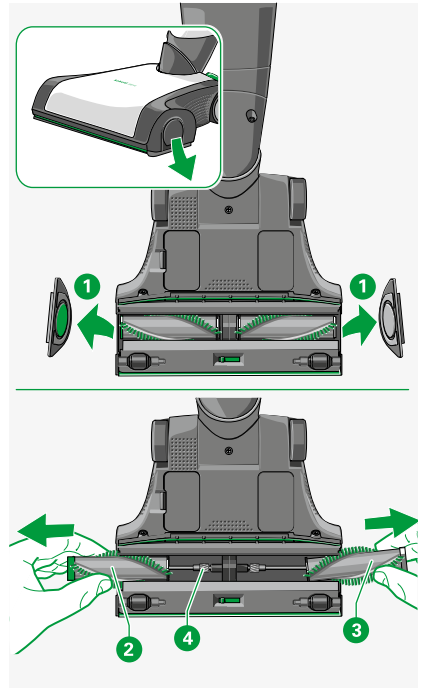
1. Remove the right and left side caps **1**.
2. Pull the roller brushes **2** and **3** away from the drive shaft.
3. Clear away the dirt from the drive shaft **4**. Also check the inner central section.
4. Clean the dirt off the roller brushes **2** and **3** as described in chapter “5.3.1 Checking and cleaning” on page 41.
5. Insert the roller brush with the green end **2** on the left-hand side and the roller brush with grey end **3** on the right-hand side.
6. Press the roller brushes onto the drive shaft with a slight rotation until they are fully inserted.
7. Check the positioning of the brushes on the drive shaft.
8. Push the side caps **1** back on. Ensure that the triangular tab **5** engages in the corresponding slot **6** on the electric brush. The metal should be facing inwards.



You can order roller brushes from our Mail Order Hotline (see chapter “9 Service” on page 50).



You can also order roller brushes by visiting our online shop at [www.vorwerk.co.uk](http://www.vorwerk.co.uk)



## 6 TROUBLESHOOTING

### WARNING

#### **Risk of electric shock and injury!**

- In the event of damage, contact the Vorwerk Customer Service Centre.
- Never perform repairs on your device yourself. Repairs to electric appliances may only be carried out by your authorised Vorwerk Customer Service Centre.
- Stop using the AC charger if it is damaged.
- Always switch the device off before all retrofitting, cleaning and maintenance work.
- Disconnect the accessory head from the cordless vacuum cleaner before performing retrofitting, cleaning or maintenance work on the accessory head.

If your device does not function properly, it could be due to one of the following reasons:

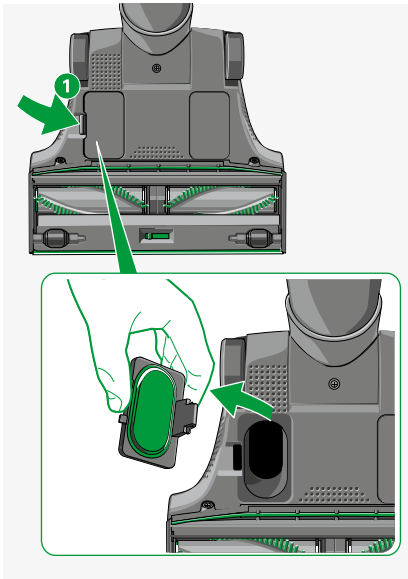
### 6.1 KOBOLD VB100 CORDLESS VACUUM CLEANER

<b>Fault</b>	<b>Possible cause and solutions</b>
The cordless vacuum cleaner cannot be switched on.	<p>Your cordless vacuum cleaner may still be in transport mode (condition on delivery).</p> <ul style="list-style-type: none"><li>• Charge the cordless vacuum cleaner.</li></ul> <p>The battery pack may be empty.</p> <ul style="list-style-type: none"><li>• Charge the cordless vacuum cleaner.</li></ul> <p>The cordless vacuum cleaner may not have been charged correctly.</p> <ul style="list-style-type: none"><li>• Charge the cordless vacuum cleaner (if the charger is correctly connected, the indicator will pulsate to show that the cordless vacuum cleaner is charging).</li></ul> <p>The battery pack may not be inserted or may not be inserted correctly.</p> <ul style="list-style-type: none"><li>• Insert the battery pack as described in chapter “5.2.3 Replacing the battery pack on the Kobold VB100 Cordless Vacuum Cleaner” on page 38.</li></ul> <p>The charger may still be connected.</p> <ul style="list-style-type: none"><li>• Disconnect the cordless vacuum cleaner from the charger. The cordless vacuum cleaner will not start up if the charger is connected.</li></ul>

Fault	Possible cause and solutions
The LED display lights up yellow when the cordless vacuum cleaner is on.	<p>The premium filter bag may be full.</p> <ul style="list-style-type: none"> <li>• Insert a new premium filter bag as described in chapter "5.2.1 Replacing the Kobold FP100 Premium Filter Bag" on page 33.</li> </ul> <p>The carpet may be too dense.</p> <ul style="list-style-type: none"> <li>• Try vacuuming a different floor and check the LED display again.</li> <li>• Try vacuuming on a lower suction power level.</li> </ul> <p>The suction channels may be blocked.</p> <ul style="list-style-type: none"> <li>• Check and clean the suction channels.</li> </ul>
The LED display on the cordless vacuum cleaner flashes red.	<ul style="list-style-type: none"> <li>• Contact your Vorwerk Customer Service Centre (see chapter "9 Service" on page 50).</li> </ul>
The charging process takes too long or the cordless vacuum cleaner does not start after a short charge.	<p>High temperatures can slow down the charging process.</p> <ul style="list-style-type: none"> <li>• Do not charge the device or the individual battery pack (when removed from the cordless vacuum cleaner) in the sun.</li> </ul> <p>Charging may take longer after intensive use of the cordless vacuum cleaner or at high temperatures. The charging process can be accelerated by removing the battery pack from the device and charging it directly on the AC charger.</p>
Transport mode cannot be switched on.	<p>Your cordless vacuum cleaner may already be connected to the power supply and fully charged. If this is the case, the LEDs will no longer be lit.</p> <ul style="list-style-type: none"> <li>• Disconnect your cordless vacuum cleaner from the power supply.</li> <li>• Then proceed as described in chapter "3.6 Moving the Kobold VB100 Cordless Vacuum Cleaner" on page 29.</li> </ul>

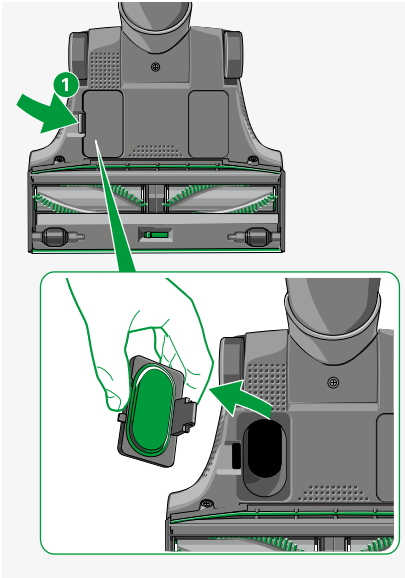
## 6.2 KOBOLD EBB100 ELECTRIC BRUSH

Fault	Possible cause and rectification
<p>The Kobold electric brush is too loud.</p>	<p>The roller brushes may not be correctly inserted.</p> <ul style="list-style-type: none"><li>• Check whether the roller brushes are correctly inserted.</li><li>• Always replace both brushes together.</li></ul> <p>It may that original Kobold accessories were not used; this can lead to bearing and motor damage.</p> <ul style="list-style-type: none"><li>• Use original Kobold roller brushes only.</li></ul> <p>An object may have become stuck in the area of the roller brushes.</p> <ul style="list-style-type: none"><li>• Remove the object.</li></ul> <p>There may be loud noises when working on hard floors.</p> <ul style="list-style-type: none"><li>• Switch to 'normal' brush mode.</li></ul>
<p>The LED display on the cordless vacuum cleaner lights up yellow.</p>	<p>The suction duct of the electric brush may be blocked.</p> <ul style="list-style-type: none"><li>• Open the inspection flap <b>1</b> on the underside of the electric brush.</li><li>• Remove the blockage.</li><li>• If necessary, use an appropriate object to do this (e.g. crochet needle).</li><li>• Put the inspection flap <b>1</b> back on.</li></ul>



**Fault**

The electric brush is not vacuuming properly.

**Possible cause and rectification**

The suction duct of the electric brush may be blocked.

- Open the inspection flap **1** on the underside of the electric brush.
- Remove the blockage.
- If necessary, use an appropriate object to do this (e.g. screwdriver, crochet needle).
- Put the inspection flap **1** back on.

The Kobold electric brush switches itself off and the LEDs flash red.

A vacuumed object may be blocking the brushes of the electric brush.

- Switch off the cordless vacuum cleaner.
- Disconnect the electric brush from the cordless vacuum cleaner.
- Remove the object.

Threads may be blocking the brushes of the electric brush.

- Cut the threads and remove them as described in chapter "Roller brushes" on page 41.

The carpet may be too dense.

- Briefly lift up the electric brush from the carpet and place it down on a hard floor.
- Change to 'Brush off' mode on the electric brush as described in chapter "Setting the brush mode" on page 25 and move onto the carpet that is to be cleaned.
- Alternatively, switch the cordless vacuum cleaner to the 'soft' setting and continue vacuuming the carpet.

---

**Fault****Possible cause and rectification**

---

Threads have coiled around the roller brushes.

Threads may be blocking the brushes of the electric brush.

- Cut the threads and remove them as described in chapter "Roller brushes" on page 41.
- Remove threads, hair and fibres from the metal shaft if necessary.

---

The electric brush is hard to push.

You may have set the suction power level too high on the cordless vacuum cleaner.

- Set a lower suction power level using the silver switch on the handle of the cordless vacuum cleaner.

The 'fine' setting may be selected.

- Switch from 'fine' to 'flex' as described in chapter "3.3.3 Switching between flex/fine" on page 27.

---

After replacing the roller brush, the device does not work any more.

The roller brushes may not be correctly inserted.

- Position the roller brushes precisely on the drive shafts as described in chapter "5.3.2 Changing the roller brushes" on page 42.

The electric brush may not be correctly connected to the cordless vacuum cleaner.

- Check if the connection between the electric brush and the cordless vacuum cleaner is correctly engaged.
-

## 7 DISPOSAL AND ENVIRONMENTAL PROTECTION

### 7.1 DISPOSAL OF THE DEVICE



The law states that as owner of an old electrical or electronic device you are not allowed (under DIRECTIVE 2012/19/EU OF THE EUROPEAN PARLIAMENT AND OF THE COUNCIL of 4 July 2012 on Waste Electric and Electronic Equipment, and the reformed German Electrical and Electronic Equipment Act (ElektroG) of 20 October 2015) to dispose of this device or its electrical/electronic accessories via unsorted domestic waste.

- Use the return options provided free of charge instead.
- Contact your city or municipal administration for more information.

### 7.2 NOTES ON DISPOSAL OF THE BATTERY

The lithium-ion battery pack contains substances that may be harmful to the environment. Before scrapping the device, the battery pack must be removed from the device and taken to a battery collection centre.

Only dispose of battery packs that are completely empty. The battery contacts must not come into contact with metal under any circumstances.



---

## 7.3 DISPOSING OF THE PACKAGING

The packaging is an important part of our product. It protects our devices against damage during transportation and reduces the risk of a device fault. For this reason, we cannot avoid using packaging. If you need to return or send in your device to the service or customer service department either during or after the warranty period, the original packaging provides the best protection against damage in transit.

If you nevertheless wish to dispose of the packaging, you can do this at any time and without limitation via your local council facilities (waste paper skip, yellow skip, recycling depot, waste paper collection etc.). Vorwerk commissions authorised licensors for this. In case of queries, please contact your respective Service Centre (see chapter “9 Service” on page 50).

## 7.4 INFORMATION ON ENVIRONMENTAL PROTECTION

Preserving nature and protecting the environment: protecting the environment is an important corporate objective for Vorwerk.

### 7.4.1 LESS PACKAGING

We only use environmentally friendly material, which is recycled if disposed of correctly. We are actively involved in cutting back on waste packaging during the development stages and are committed to its disposal and recycling.

### 7.4.2 SAVING ENERGY

Vorwerk products protect the environment: they consume little energy yet provide high suction performance.

### 7.4.3 ENVIRONMENTALLY FRIENDLY PRODUCTION

We place great emphasis on protecting the environment in the production of our products. We use recyclable plastics and paints. We deliberately avoid using polluting flame retardants. For our filter bags, we use solvent-free adhesives, unbleached paper and non-hazardous plastic. Our instruction manuals are made from materials that come from sustainably managed forests and are bleached without the use of chlorine.

### 7.4.4 RECYCLABLE MATERIAL

The material in our products is almost entirely recyclable. We largely avoid using PVC.

When designing our products, we try to use ‘unmixed’ materials.

The substances used can later be separated accordingly at modern facilities without excessive energy consumption. We have labelled the majority of our plastic components so that they are even easier to recycle.

## 8 WARRANTY

Any warranty services can be found in the order note or purchase contract.

## 9 SERVICE



Either in person with your customer representative  
or at the Customer Services



[www.vorwerk.co.uk](http://www.vorwerk.co.uk)

## 10 TECHNICAL DATA

### Kobold VB100 Cordless Vacuum Cleaner

Safety symbol

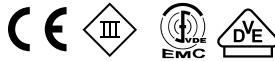


Housing	High-quality recyclable thermoformed plastic
Blower	Maintenance-free BLDC motor, approx. 85,000 rpm
Nominal output	For suction levels: soft 30 watts, med 80 watts, max 230 watts
AC charger input voltage	220 – 240 volts alternating current, 50/60 Hz
Max. negative pressure	88 hPa
Max. volume flow	21.0 l/s
Premium filter bag volume	0.8 l
Weight	approx. 2.1 kg, approx. 3.3 kg with the Kobold EBB100 Electric Brush
Dimensions	approx. 100 cm x 11 cm x 11 cm
Sound power level (with EBB100)	Carpet: 78 dB (A) re 1 pW Hard floor: 79 dB (A) re 1 pW
AC charger	34 V 1.2 A Model S040...
Battery	VB-8s1p...
Battery charge times	approx. 3 hours

The PE conductor connection in this device is used only for functional purposes.

### Kobold EBB100 Electric Brush

Safety symbol



Housing	High-quality recyclable thermoformed plastic
Motor	Maintenance-free DC motor, approx. 17,000 rpm
Nominal output	50 watts
Voltage	28.8 V
Weight	approx. 1.2 kg
Brushes	2 replaceable rotating brushes
Working width	approx. 25 cm
Speed	Normal 1800 rpm Turbo 3800 rpm
Dimensions	approx. 25 cm x 31 cm x 7 cm
Sound power level (with VB100)	Carpet: 78 dB (A) re 1 pW Hard floor: 79 dB (A) re 1 pW







Achten Sie auf Qualität.  
**Vorwerk Qualität**

#### DEUTSCHLAND

Vorwerk Deutschland Stiftung & Co. KG  
Mühlenweg 17-37  
42270 Wuppertal  
[www.vorwerk-kobold.de](http://www.vorwerk-kobold.de)

#### ÖSTERREICH

Vorwerk Austria GmbH & Co. KG  
Schäfferhofstr. 15  
6971 Hard  
[www.vorwerk-kobold.at](http://www.vorwerk-kobold.at)

#### SCHWEIZ

Vorwerk Kobold Schweiz  
Christoph Merian-Ring 23  
4153 Reinach BL  
[www.vorwerk-kobold.ch](http://www.vorwerk-kobold.ch)

#### INTERNATIONAL

Vorwerk International Strecker & Co.  
Verenastrasse 39  
8832 Wollerau, Switzerland  
[www.vorwerk-kobold.com](http://www.vorwerk-kobold.com)

#### UK

Vorwerk UK Ltd  
Ashurst Manor  
Church Lane, Sunninghill, Ascot  
Berkshire, SL5 7DD  
[www.kobold.vorwerk.co.uk](http://www.kobold.vorwerk.co.uk)

#### FRANCE

Vorwerk France s.c.s  
539 Route de St Joseph  
44308 Nantes Cedex 3  
[www.vorwerk-kobold.fr](http://www.vorwerk-kobold.fr)

#### ESPAÑA

Vorwerk España M.S.L., S.C.  
Avda. Arroyo del Santo 7  
28042 Madrid  
[www.vorwerk.es](http://www.vorwerk.es)

#### ČESKÁ REPUBLIKA

Vorwerk CS k.s.  
Pod Pekařkou 1  
147 00 Praha 4  
[www.vorwerk-kobold.cz](http://www.vorwerk-kobold.cz)

